

Getting Started With Your System

Guide de mise en route

Primeiros passos com o sistema

Procedimientos iniciales con el sistema

Model BMX

Getting Started With Your System

Notes, Notices, and Cautions



NOTE: A NOTE indicates important information that helps you make better use of your computer.



NOTICE: A NOTICE indicates either potential damage to hardware or loss of data and tells you how to avoid the problem.



CAUTION: A CAUTION indicates a potential for property damage, personal injury, or death

Information in this document is subject to change without notice.

© 2006 Dell Inc. All rights reserved.

Reproduction in any manner whatsoever without the written permission of Dell Inc. is strictly forbidden.

Trademarks used in this text: *Dell*, the *DELL* logo, and *Dell OpenManage* are trademarks of Dell Inc.; *Microsoft* and *Windows* are registered trademarks and *Windows Server* is a trademark of Microsoft Corporation; *Intel* and *Xeon* are registered trademarks of Intel Corporation; *SUSE* is a registered trademark of Novell, Inc.; *Red Hat* is a registered trademark of Red Hat, Inc.

Other trademarks and trade names may be used in this document to refer to either the entities claiming the marks and names or their products. Dell Inc. disclaims any proprietary interest in trademarks and trade names other than its own.

Model BMX

January 2006

P/N CD653

Rev. A00

System Features

This section describes the major hardware and software features of your system. It also provides information about other documents you may need when setting up your system and how to obtain technical assistance.

- Support for up to ten server modules. The chassis can support from one to ten server modules. (If fewer than ten server modules are installed in the chassis, server module blanks are required for proper cooling.)
- Dell™ Remote Access Controller/Modular Chassis (DRAC/MC), which provides access to systems management software features.
 - To access systems management features, connect the null modem cable provided with the system between the serial management port and an external PC. You may also obtain system management information through a Web browser connected to the RJ-45 management port. Systems management software monitors the system and server module status.
 - Embedded systems management circuitry that monitors operation of the system fans and critical system voltages and temperatures. The systems management circuitry works in conjunction with your systems management software.
- Support for I/O connectivity including pass-through modules and network switch modules. Up to four I/O modules may be installed. (If fewer than four modules are installed, blank I/O modules are required for proper cooling.) Optional daughter cards installed in the server modules enable the I/O connectivity.
- Two hot-pluggable system fan modules. Each fan module has two replaceable fans.
- Two 2100-watt, hot-pluggable power supplies and two power supply blanks, or four 2100-watt, hot-pluggable power supplies. Two power supplies provide power to the system; two additional power supplies provide redundancy.


 **NOTICE:** 1200-watt power supplies are not supported.

Server Module Features


- One or two Intel® Xeon® Processor 5000 Sequence.
- Support for symmetric multiprocessing (SMP), which greatly improves overall system performance by dividing processor operations between independent processors. To take advantage of this feature, you must use an operating system that supports multiprocessing.
- A minimum of 512 MB of 533-MHz or 677-MHz (when available) DDR II fully-buffered DIMM (FBD) memory modules, upgradable to a maximum of 32 GB by installing combinations of 256-MB, 512-MB, 1-GB, 2-GB, or 4-GB two-way interleaving memory modules in the eight memory module sockets on the system board.

The system also supports memory sparing or memory mirroring if all eight memory module sockets are populated with identical memory modules.

- Support for up to two 2.5-inch, SAS or SATA hot-pluggable hard drives.

 **NOTE:** SAS and SATA hard drives cannot be mixed within a server module.

- Integrated internal drive mirroring allows two disks to be mirrored through the integrated RAID controller.
- An external port to support USB devices using the custom cable. USB devices include a mouse, a keyboard, flash drive, a 1.44-MB, 3.5-inch diskette drive, or an optical drive.

 **NOTE:** Only Dell-supplied USB diskette drives and optical drives are supported; use only a USB 2.0-compliant cable with a length not to exceed 3 meters (118.1 inches).

- An integrated VGA-compatible video subsystem with an ATI ES1000 video controller. This video subsystem contains 16 MB of SDRAM video memory (nonupgradable). Maximum resolution is 1280 x 1024 x 65,000 colors (noninterlaced).
- Systems management circuitry that monitors operation of the system fans as well as critical system voltages and temperatures. The systems management circuitry works in conjunction with the systems management software.

For more information about specific features, see "Technical Specifications."

The following software is included with your system:

- A System Setup program for quickly viewing and changing system configuration information. For more information on this program, see "Using the System Setup Program" in your *Hardware Owner's Manual*.
- Enhanced security features, including a system password and a setup password, available through the System Setup program.
- System diagnostics for evaluating system components and devices. For information about using the system diagnostics, see "Running the System Diagnostics" in your *Hardware Owner's Manual*.
- Video drivers for displaying many popular application programs in high-resolution modes.
- Systems management software and documentation. Systems management software is used to manage and monitor each individual server module as well as the system as a whole, including all of the server modules, network switch modules, power supplies, and fans. Systems management software manages the system locally and remotely on a network. Dell recommends that you use the systems management software provided with this system.
- Optional solutions software for Web hosting, caching, or load balancing. See your solutions software documentation for more information


Supported Operating Systems

Your system supports the following operating systems:

- Microsoft® Windows® 2000 Server and Advanced Server with Service Pack 4 or later
- Microsoft Windows Server™ 2003 Standard Edition, Enterprise Edition, and Web Edition with Service Pack 1 or later

- Microsoft Windows Server 2003, Standard and Enterprise x64 Edition
- Red Hat® Enterprise Linux AS, ES, and WS (version 3) for Intel x86
- Red Hat Enterprise Linux AS, ES, and WS (version 4) for Intel x86
- Red Hat Enterprise Linux for Intel Extended Memory 64 Technology (Intel EM64T) AS, ES, and WS (version 4)
- SuSE® Linux Enterprise Server 9 for Intel EM64T

Other Information You May Need

 **CAUTION:** The *Product Information Guide* provides important safety and regulatory information. Warranty information may be included within this document or as a separate document.

- The *Rack Installation Guide* or *Rack Installation Instructions* included with your rack solution describes how to install your system into a rack.
- The *Hardware Owner's Manual* provides information about system features and describes how to troubleshoot the system and install or replace system components.
- The *Dell OpenManage Baseboard Management Controller User's Guide* provides detailed information on using the BMC.
- The *Dell Remote Access Controller/Modular Chassis User's Guide* provides detailed information on using the remote management features of the system.
- The *Configuration Guide* provides information on configuring your system and the server modules in your system.
- CDs included with your system provide documentation and tools for configuring and managing your system.
- Systems management software documentation describes the features, requirements, installation, and basic operation of the software.
- Operating system documentation describes how to install (if necessary), configure, and use the operating system software.
- Documentation for any components you purchased separately provides information to configure and install these options.
- Updates are sometimes included with the system to describe changes to the system, software, and/or documentation.

 **NOTE:** Always check for updates on support.dell.com and read the updates first because they often supersede information in other documents.

- Release notes or readme files may be included to provide last-minute updates to the system or documentation or advanced technical reference material intended for experienced users or technicians.

Obtaining Technical Assistance

If you do not understand a procedure in this guide or if the system does not perform as expected, see your *Hardware Owner's Manual*.

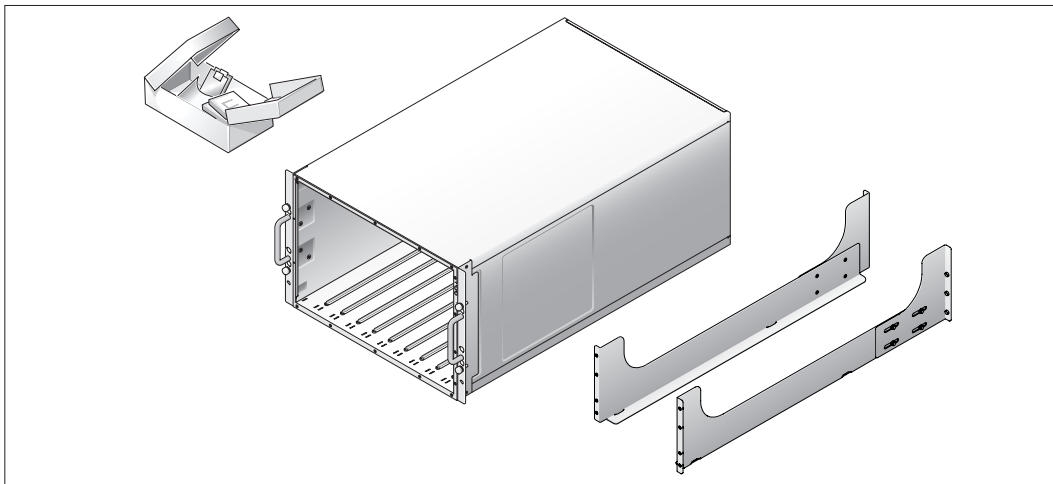
Dell Enterprise Training and Certification is available; see www.dell.com/training for more information. This service may not be offered in all locations.

Installation and Configuration

⚠ CAUTION: Before performing the following procedure, read and follow the safety instructions and important regulatory information in your *Product Information Guide*.

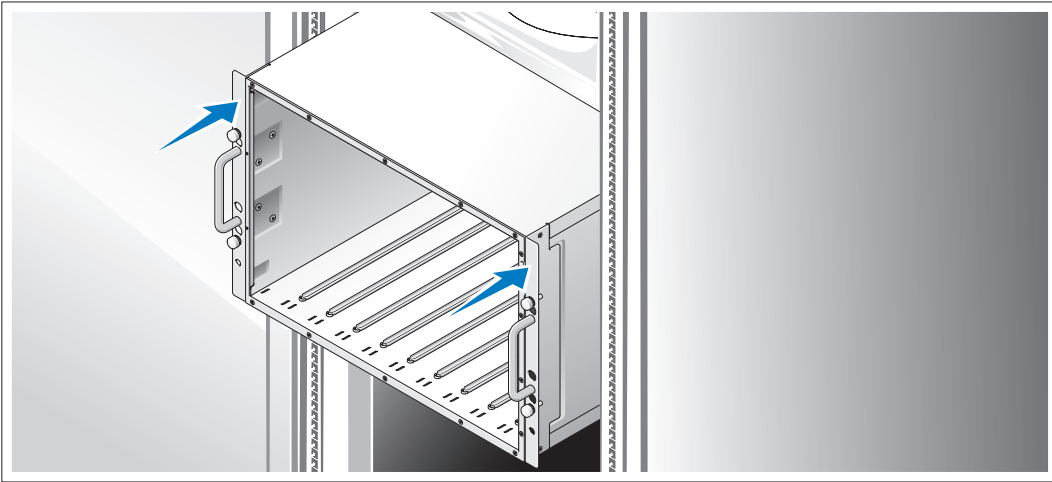
This section describes the steps required to set up your system for the first time.

Unpack the System



- 1** Unpack your system and identify each item.
Keep all shipping materials in case you need them later.

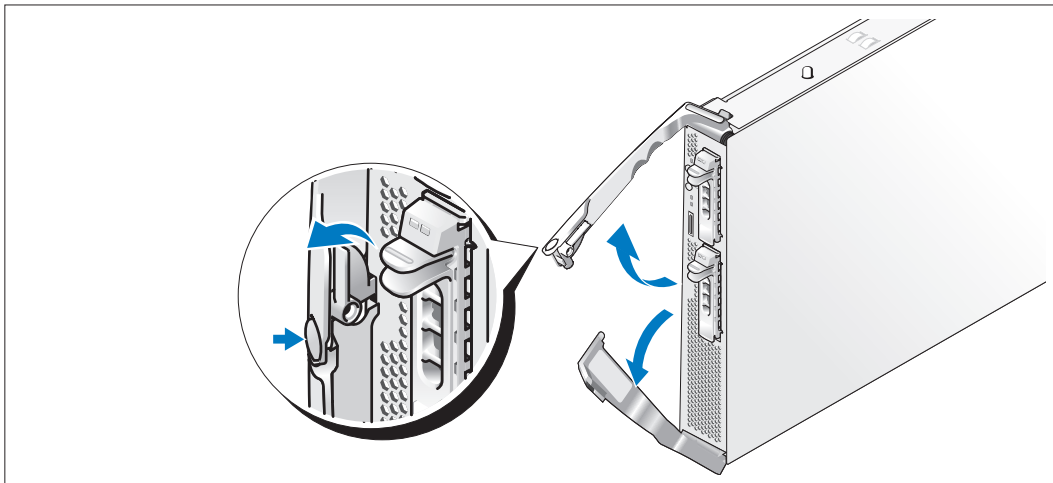
Install the System in a Rack



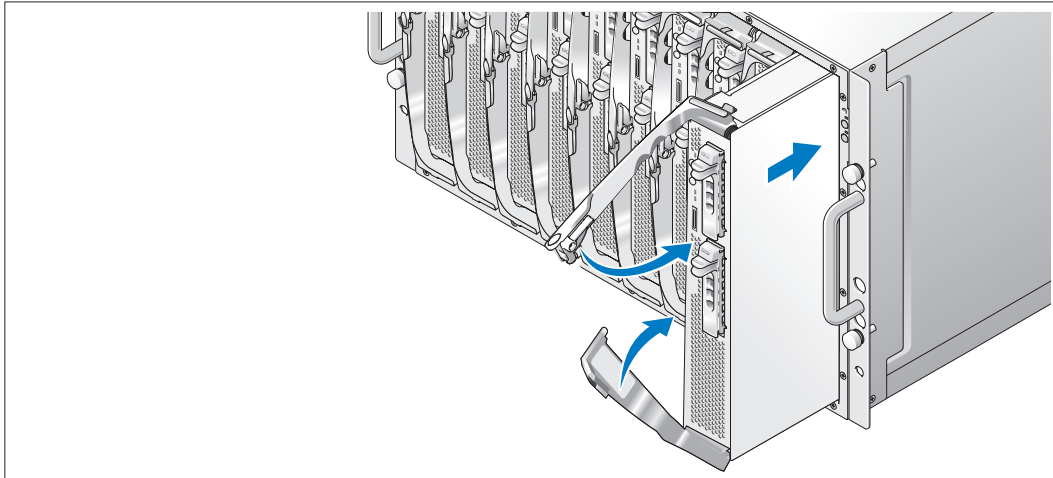
- 2 Install the system in the rack once you have read the "Safety Instructions" located in the rack installation documentation for your system.

See your rack installation documentation for instructions on installing your system in a rack.

Install the Server Modules

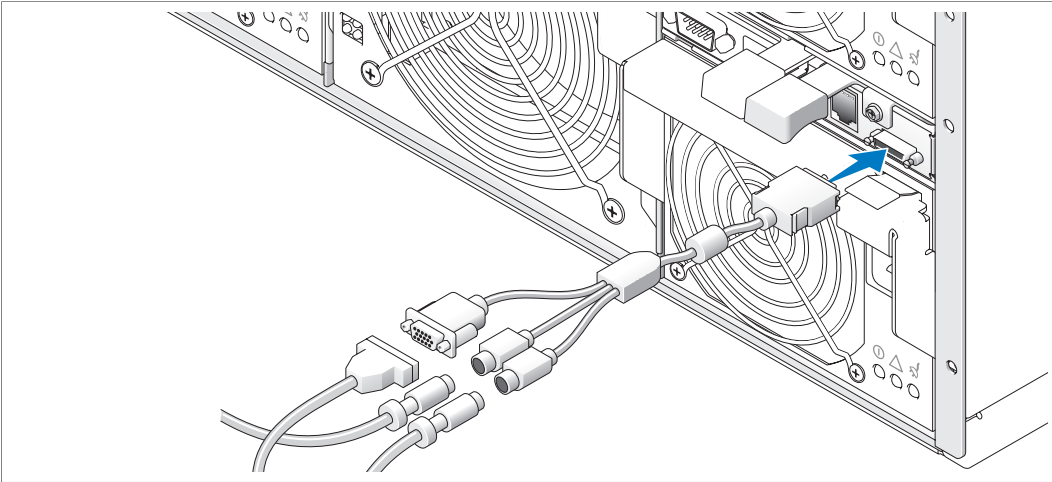


- 3 Before installing the modules, orient each module so that the upper handle has the logo on it and "TOP-SIDE" on the module edge faces upward. Press the release latch on the inside of the upper handle. Pull out the upper and lower handles.



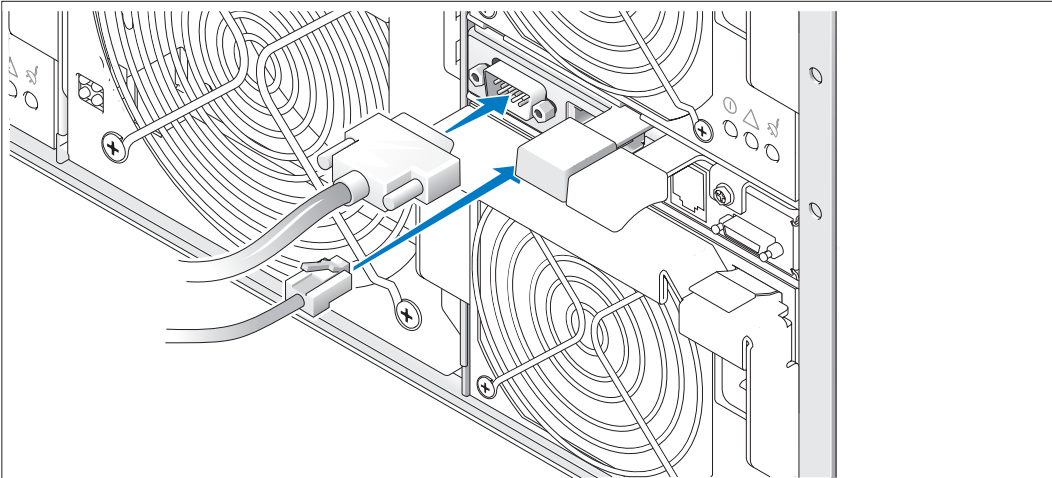
Beginning from left to right, slide the modules into the chassis. When the open handles contact the chassis front panel, begin to rotate the handles together (the lower handle will close first) until the lower handle is flush against the module's front panel. Continue to rotate the upper handle downward until it is flush against the lower handle. (When the handles are fully closed, the release latch will secure both handles to the front panel.)

Connect the Keyboard, Mouse, and Monitor



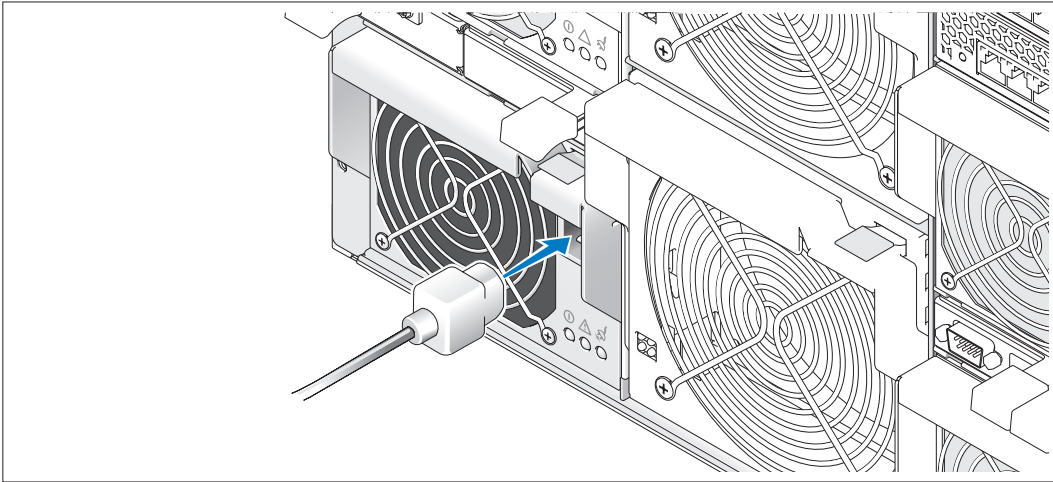
- 4 Attach the custom cable to the KVM module, then connect the keyboard, mouse, and monitor (optional) to the custom cable.

Connect the Management System



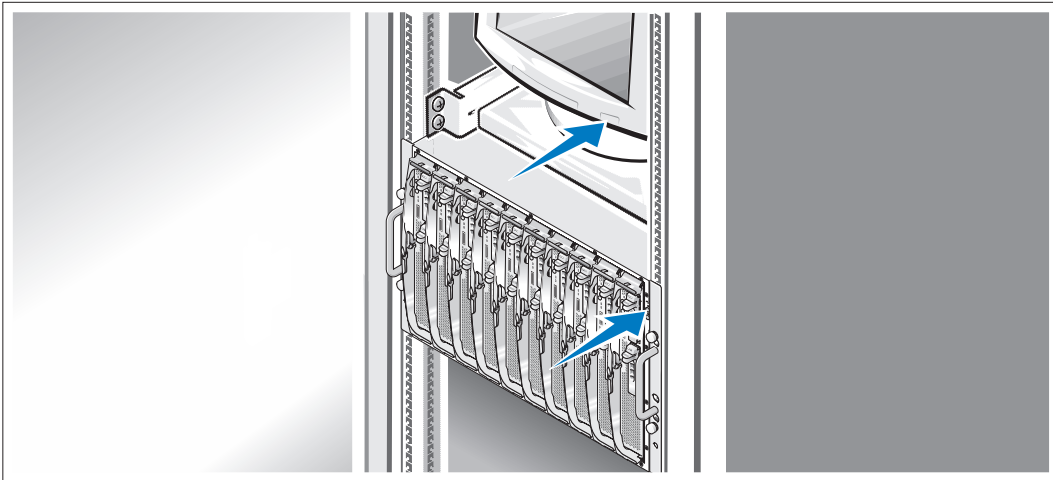
- 5 Connect the serial cable and network cable from the management system to the DRAC/MC module.

Connect the System and Monitor (Optional) to Power



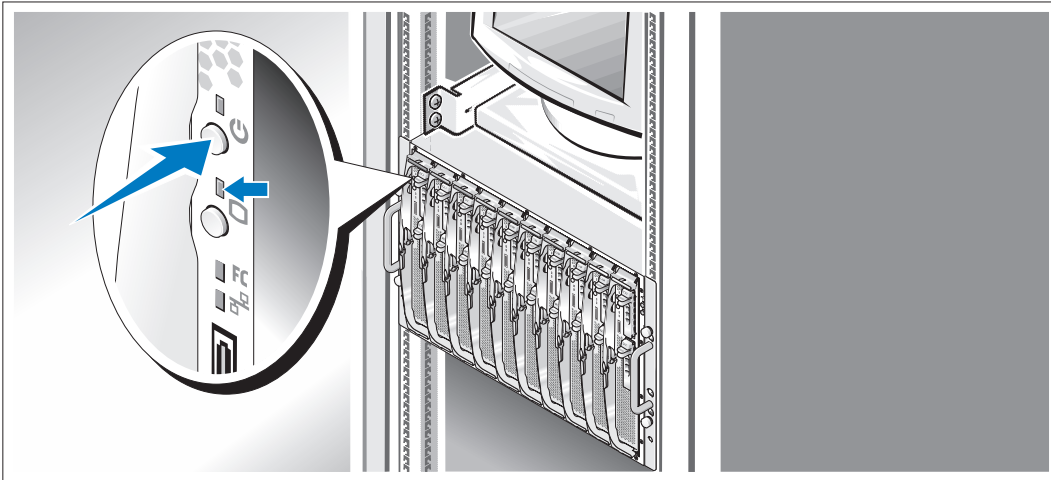
- 6 Connect the system's power cable(s) to the system. Next, plug the other end of the cable into a grounded electrical outlet or a separate power source such as an uninterruptible power supply (UPS) or a power distribution unit (PDU). Connect the monitor's power cable to a grounded electrical outlet.

Turn on the System and Monitor (Optional)



- 7 Press the power button on the chassis and the monitor. The power indicators should light. Adjust the monitor's controls until the displayed image is satisfactory.

Turn on the Server Modules



- 8 Press the power button on each server module, or power on the modules using the systems management software.

The KVM indicators on the server modules identify which server module video is displayed.

Adjust the monitor's controls until the displayed image is satisfactory.

Complete the Operating System Setup

If you purchased a preinstalled operating system, see the operating system documentation that ships with your system. To install an operating system for the first time, see the *Quick Installation Guide*. Be sure the operating system is installed before installing hardware or software not purchased with the system.

Technical Specifications

Server Module

Processor	
Processor type	Up to two Intel Xeon Processor 5000 Sequence

Memory	
Architecture	FBD DDR II DIMMs, with two-way interleaving, rated for 533- or 677-MHz (when available) operation
Memory module sockets	Eight 240-pin
Memory module capacities	256 MB, 512 MB, 1 GB, 2 GB, or 4 GB
Minimum RAM	512 MB
Maximum RAM	32 GB

Drives	
Hard Drives	
SAS configuration	One or two 2.5-inch hot-pluggable hard drives
SATA configuration	One or two 2.5-inch hot-pluggable hard drives
	NOTE: SAS and SATA hard drives cannot be mixed within a server module.

Connectors	
Externally accessible	
Front	
Custom	Supports two USB devices and video via custom cable

Video	
Video type	ATI ES1000 video controller
Video memory	16 MB

Physical

Height	28.575 cm (11.25 in)
Width	4.241 cm (1.67 in)
Depth	50.8 cm (20 in)
Weight (maximum configuration)	7.257 kg (16 lb)

Battery

Server module battery	CR 2032 3.0-V lithium ion coin cell
-----------------------	-------------------------------------

System

System Enclosure

Height	31.038 cm (12.22 in)
Width	42.519 cm (16.74 in)
Depth	76.2 cm (30 in)
Weight (maximum configuration)	129.274 kg (285 lb)

Power Supply Module

AC power supply (per power supply)

Wattage	2100 W
Voltage	170–264 VAC, 50/60 Hz, 15.8 A at 170 VAC, 9.9 A at 264 VAC
Heat dissipation	3480 BTU/hr. maximum
Maximum inrush current	Under typical line conditions and over the entire system ambient operating range, the inrush current may reach 55 A per power supply for 10 ms or less.

Physical

Height	9.70 cm (3.82 in)
Width	12.90 cm (5.08 in)
Depth	23.01cm (9.06 in)
Weight	3.288 kg (7.25 lb)

Fan Module

Physical

Height	14.732 cm (5.8 in)
Width	15.748 cm (6.2 in)
Depth	27.305 cm (10.75 in)
Weight	2.948 kg (6.5 lb)

KVM Module

Externally accessible connectors

Custom	Custom cable used for two PS/2 and one video
ACI port	RJ-45 (Avocent Analog KVM switch only)
Ethernet	RJ-45 (Avocent Digital Access KVM switch only)

Physical

Height	2.54 cm (1 in)
Width	5.334 cm (2.1 in)
Depth	28.194 cm (11.1 in)
Weight	0.272 kg (.6 lb)

DRAC/MC Module

Externally accessible connectors

Remote management	Dedicated 10/100 RJ-45 (for integrated Ethernet remote access controller)
Serial	9-pin, DTE, 16550-compatible

Battery

Module battery	CR 2032 3.0-V lithium ion coin cell
----------------	-------------------------------------

Physical

Height	2.54 cm (1 in)
Width	7.493 cm (2.95 in)
Depth	26.03 cm (10.35 in)
Weight	0.363 kg (.8 lb)

PowerConnect 5316M Ethernet Switch Module

Externally accessible connectors

Gb 10/100/1000 Mbps Ethernet	Six autonegotiating RJ-45 uplinks
------------------------------	-----------------------------------

Physical

Height	3.302 cm (1.3 in)
Width	13.081 cm (5.15 in)
Depth	27.432 cm (10.8 in)
Weight	0.816 kg (1.8 lb)

Gb Ethernet Pass-Through Module

Externally accessible connectors

Ethernet	Ten RJ-45 uplinks (for integrated 1-Gbps NICs)
----------	--

NOTE: Pass-through uplinks support 1000 Mbps connection only.

Physical

Height	3.302 cm (1.3 in)
Width	13.081 cm (5.15 in)
Depth	27.432 cm (10.8 in)
Weight	0.816 kg (1.8 lb)

Fibre Channel Pass-Through Module

Externally accessible connectors

Fibre Channel transceiver	Ten 76-pin, 3.5 Gbps, GPIO transceiver receptacles
---------------------------	--

Physical

Height	3.302 cm (1.3 in)
Width	13.081 cm (5.15 in)
Depth	27.432 cm (10.8 in)
Weight	0.816 kg (1.8 lb)

Fibre Channel Switch Module

Externally accessible connectors

Fibre Channel	Four universal (E, F, and FL) autosensing ports
1/2/4 Gb/s Ethernet	RJ-45

Physical

Height	3.302 cm (1.3 in)
Width	13.081 cm (5.15 in)
Depth	27.432 cm (10.8 in)
Weight	1.06 kg (2.35 lb)

Infiniband Pass-Through Module

Externally accessible connectors

Infiniband	Ten 4X ports
------------	--------------

Physical

Height	3.302 cm (1.3 in)
Width	13.081 cm (5.15 in)
Depth	27.432 cm (10.8 in)
Weight	1.8 kg (4 lb)

Environmental

NOTE: For additional information about environmental measurements for specific system configurations, see www.dell.com/environmental_datasheets. The system is not for use in an office environment.

Temperature

Operating	10° to 35°C (50° to 95°F) NOTE: Decrease the maximum temperature by 1°C (1.8°F) per 300 m (985 ft) above 900 m (2955 ft).
Storage	-40° to 65°C (-40° to 149°F)

Relative humidity

Operating	8% to 85% (noncondensing) with a maximum humidity gradation of 10% per hour
Storage	5% to 95% (noncondensing)

Maximum vibration

Operating	0.25 G at 3–200 Hz for 15 min
Storage	0.5 G at 3–200 Hz for 15 min

Maximum shock

Operating	One shock pulse in the positive z axis (one pulse on each side of the system) of 41 G for up to 2 ms
Storage	Six consecutively executed shock pulses in the positive and negative x, y, and z axes (one pulse on each side of the system) of 71 G for up to 2 ms

Altitude

Operating	-16 to 3048 m (-50 to 10,000 ft)
Storage	-16 to 10,600 m (-50 to 35,000 ft)

Guide de mise en route

Remarques, avis et précautions



REMARQUE : une REMARQUE indique des informations importantes qui peuvent vous aider à mieux utiliser votre ordinateur.



AVIS : un AVIS vous avertit d'un risque de dommage matériel ou de perte de données et vous indique comment éviter le problème.



PRÉCAUTION : une PRÉCAUTION indique un risque potentiel d'endommagement du matériel, de blessure corporelle ou de mort.

Les informations contenues dans ce document peuvent être modifiées sans préavis.

© 2006 Dell Inc. Tous droits réservés.

La reproduction de ce document de quelque manière que ce soit sans l'autorisation écrite de Dell Inc. est strictement interdite.

Marques utilisées dans ce document : *Dell*, le logo *DELL* et *Dell OpenManage* sont des marques de Dell Inc. ; *Microsoft* et *Windows* sont des marques déposées de Microsoft Corporation ; *Windows Server* est une marque de Microsoft Corporation ; *Intel* et *Xeon* sont des marques déposées de Intel Corporation ; *SUSE* est une marque déposée de Novell, Inc. ; *Red Hat* est une marque déposée de Red Hat, Inc.

Tous les autres noms de marques et marques commerciales utilisés dans ce document se rapportent aux sociétés propriétaires des marques et des noms de ces produits. Dell Inc. décline tout intérêt dans l'utilisation des marques déposées et des noms de marques ne lui appartenant pas.

Modèle BMX

Janvier 2006

P/N CD653

Rev. A00

Caractéristiques du système

Cette section décrit les principales caractéristiques du système sur le plan matériel et logiciel. Elle contient également des informations sur les autres documents utiles à la configuration du système et sur l'obtention d'assistance technique.

- Le système prend en charge jusqu'à 10 modules serveurs. Le châssis peut accueillir de un à dix modules serveurs. (Si moins de 10 modules sont installés, les emplacements vides doivent contenir un cache pour assurer un refroidissement correct du système.)
- Le module DRAC/MC (Dell™ Remote Access Controller/Modular Chassis) permet d'utiliser les fonctions logicielles de gestion des systèmes.
 - Pour accéder aux fonctions de gestion des systèmes, connectez le câble null modem fourni avec le système entre le port série et un PC externe. Vous pouvez aussi obtenir des informations sur la gestion des systèmes à l'aide d'un navigateur Web connecté au port de gestion RJ-45. Le logiciel de gestion des systèmes contrôle le système et l'état des modules serveurs.
 - Des circuits intégrés de gestion de systèmes surveillent le fonctionnement des ventilateurs, ainsi que les tensions et les températures critiques des systèmes. Ce circuit de surveillance fonctionne de pair avec le logiciel de gestion de systèmes.
- Le système prend en charge la connectivité des E-S (modules d'intercommunication et de commutation réseau inclus). Il est possible d'installer jusqu'à 4 modules d'E-S. (Si moins de 4 modules sont installés, les emplacements vides doivent contenir un cache pour assurer un refroidissement correct du système.) Des cartes filles (en option) installées dans les modules serveurs permettent d'activer la connectivité des E-S.
- Le système contient deux modules de ventilation enfichables à chaud. Chaque module de ventilation contient deux ventilateurs amovibles.
- Le système peut contenir deux blocs d'alimentation enfichables à chaud de 2100 watts et deux caches, ou quatre blocs d'alimentation enfichables à chaud de 2100 watts. Deux modules alimentent le système tandis que les deux autres fournissent une redondance.




AVIS : les blocs d'alimentation de 1200 watts ne sont pas pris en charge.

Caractéristiques du module serveur

- Un ou deux processeurs Intel® Xeon® 5000.
- Prise en charge du multi-traitement symétrique (SMP), qui améliore considérablement les performances du système en partageant les tâches des processeurs entre des processeurs indépendants. Pour utiliser cette fonctionnalité, vous devez utiliser un système d'exploitation prenant en charge le multi-traitement symétrique.
- Un minimum de 512 Mo sous forme de barrettes de mémoire FB-DIMM (Fully Buffered DIMM) DDR II (533 ou 677 MHz, selon disponibilité), extensibles à un maximum de 32 Go via l'installation de combinaisons de barrettes à deux voies avec imbrication, de 256 Mo, 512 Mo, 1 Go, 2 Go ou 4 Go, dans les huit emplacements de la carte système.

Si les huit emplacements mémoire contiennent des modules identiques, il est possible d'utiliser une mémoire de réserve ou une mise en miroir.

- Prise en charge de deux disques durs SAS ou SATA enfichables à chaud de 2,5 pouces.
- La fonction de mise en miroir intégrée permet de mettre en miroir deux disques par l'intermédiaire du contrôleur RAID intégré.
- Port externe permettant de connecter des périphériques USB à l'aide du câble modulable (souris, clavier, lecteur flash, lecteur de disquette de 1,44 Mo/3,5 pouces ou lecteur optique).

 **REMARQUE** : seuls les lecteurs optiques et les lecteurs de disquette USB fournis par Dell sont pris en charge. Utilisez uniquement un câble compatible USB 2.0 d'une longueur maximale de 3 mètres (118,1 pouces).

- Sous-système vidéo intégré compatible VGA, comprenant un contrôleur vidéo ATI ES1000. Ce sous-système vidéo contient 16 Mo de mémoire vidéo SDRAM (non extensible). La résolution maximale est de 1280 x 1024 x 65 000 couleurs (non-entrelacé).
- Des circuits intégrés de gestion de systèmes surveillant le fonctionnement des ventilateurs, ainsi que les tensions et les températures critiques. Ces circuits de surveillance fonctionnent de pair avec les logiciels de gestion de systèmes.

Pour plus d'informations sur des caractéristiques spécifiques, voir la section “Spécifications techniques”.

Les logiciels suivants sont livrés avec le système :

- Programme de configuration du système permettant de consulter et de modifier rapidement les informations sur la configuration du système. Pour plus d'informations, voir le chapitre “Utilisation du programme de configuration du système”, dans le *Manuel du propriétaire*.
- Fonctions de sécurité améliorées, disponibles dans le programme de configuration du système, permettant de définir un mot de passe système et un mot de passe de configuration.
- Diagnostics permettant de tester les composants et les périphériques du système. Pour plus d'informations sur l'utilisation des diagnostics, voir la section “Exécution des diagnostics du système” dans le *Manuel du propriétaire*.
- Des pilotes vidéo permettant d'afficher les programmes d'application les plus courants en modes haute résolution.
- Logiciels de gestion de systèmes et documentation associée. Les logiciels de gestion des systèmes permettent de gérer et de surveiller chaque module serveur de façon individuelle, mais aussi le système dans son ensemble, en incluant les modules serveurs, les modules de commutation réseau, les blocs d'alimentation et les ventilateurs. Ils peuvent être utilisés pour gérer le système localement ou à distance via le réseau. Dell recommande d'utiliser les logiciels de gestion fournis avec le système.
- Solutions en option pour l'hébergement Web, la mise en cache et l'équilibrage de charge. Consultez la documentation des logiciels pour plus d'informations.

Systèmes d'exploitation pris en charge

Le système prend en charge les systèmes d'exploitation suivants :

- Microsoft® Windows® 2000 Server et Advanced Server avec Service Pack 4 ou suivant
- Microsoft Windows Server™ 2003 Standard Edition, Enterprise Edition et Web Edition avec Service Pack 1 ou suivant
- Microsoft Windows Server 2003 Standard Edition et Enterprise x64 Edition
- Red Hat® Enterprise Linux AS, ES et WS (version 3) pour Intel x86
- Red Hat Enterprise Linux AS, ES et WS (version 4) pour Intel x86
- Red Hat Enterprise Linux pour Intel EM64T (Intel Extended Memory 64 Technology) AS, ES et WS (version 4)
- SuSE® Linux Enterprise Server 9 pour Intel EM64T


Autres informations utiles



PRÉCAUTION : le *Guide d'informations sur le produit* contient d'importantes informations se rapportant à la sécurité et aux réglementations. Les informations sur la garantie se trouvent soit dans ce document, soit à part.

- Le document *Instructions d'installation du rack* ou le *Guide d'installation du rack* fournis avec la solution rack décrivent l'installation du système.
- Le *Manuel du propriétaire* contient des informations sur les caractéristiques du système, ainsi que des instructions relatives au dépannage et à l'installation ou au remplacement de composants.
- Le document *Dell OpenManage Baseboard Management Controller User's Guide* (Guide d'utilisation du contrôleur BMC Dell OpenManage) contient des informations détaillées sur l'utilisation du contrôleur BMC.
- Le document *Dell Remote Access Controller/Modular Chassis User's Guide* (Guide d'utilisation du module DRAC/MC) contient des informations détaillées sur l'utilisation des fonctions de gestion à distance du système.
- Le document *Configuration Guide* (Guide de configuration) contient des informations sur la configuration du système et des modules serveurs.
- Les CD fournis avec le système contiennent des documents et des outils relatifs à la configuration et à la gestion du système.
- La documentation du logiciel de gestion de systèmes comprend des renseignements sur les fonctionnalités, les spécifications, l'installation et le fonctionnement de base du logiciel.
- La documentation du système d'exploitation décrit comment installer (au besoin), configurer et utiliser le système d'exploitation.
- La documentation fournie avec les composants achetés séparément contient des informations permettant de configurer et d'installer ces options.

- Des mises à jour sont parfois fournies avec le système. Elles décrivent les modifications apportées au système, aux logiciels ou à la documentation.

 **REMARQUE** : vérifiez toujours si des mises à jour sont disponibles sur le site support.dell.com et lisez-les en premier, car elles remplacent souvent les informations contenues dans les autres documents.


- Des notes de version ou des fichiers lisez-moi (readme) sont parfois fournis ; ils contiennent des mises à jour de dernière minute apportées au système ou à la documentation, ou des documents de référence technique avancés destinés aux utilisateurs expérimentés ou aux techniciens.

Obtention d'une assistance technique

Si vous ne comprenez pas une procédure décrite dans ce guide ou si le système ne réagit pas comme prévu, consultez le *Manuel du propriétaire*.

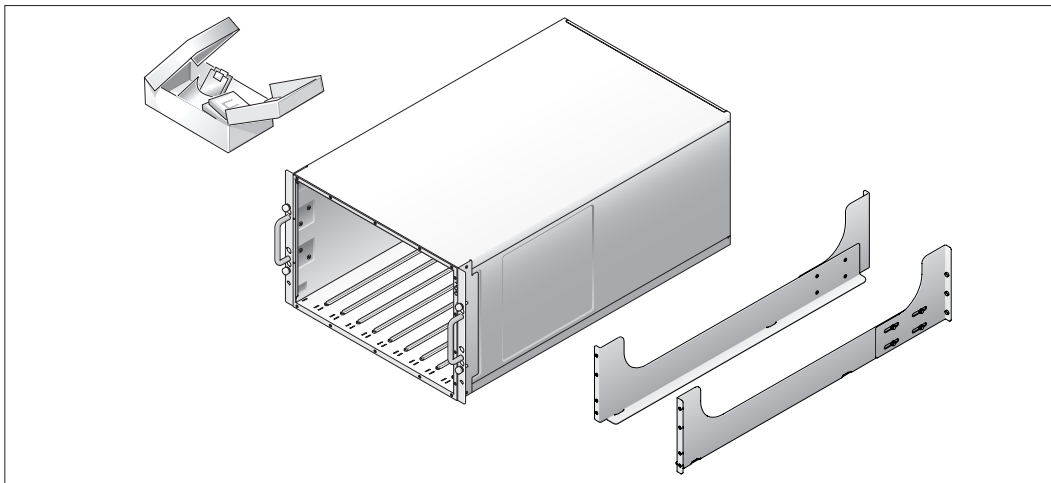
Des formations et certifications Dell Enterprise sont disponibles. Pour plus d'informations, consultez le site www.dell.com/training. Ce service n'est disponible que dans certains pays.

Installation et configuration

 **PRÉCAUTION** : avant d'exécuter la procédure suivante, lisez les consignes de sécurité et les informations importantes sur les réglementations figurant dans le *Guide d'informations sur le produit*. Veillez à les respecter scrupuleusement.

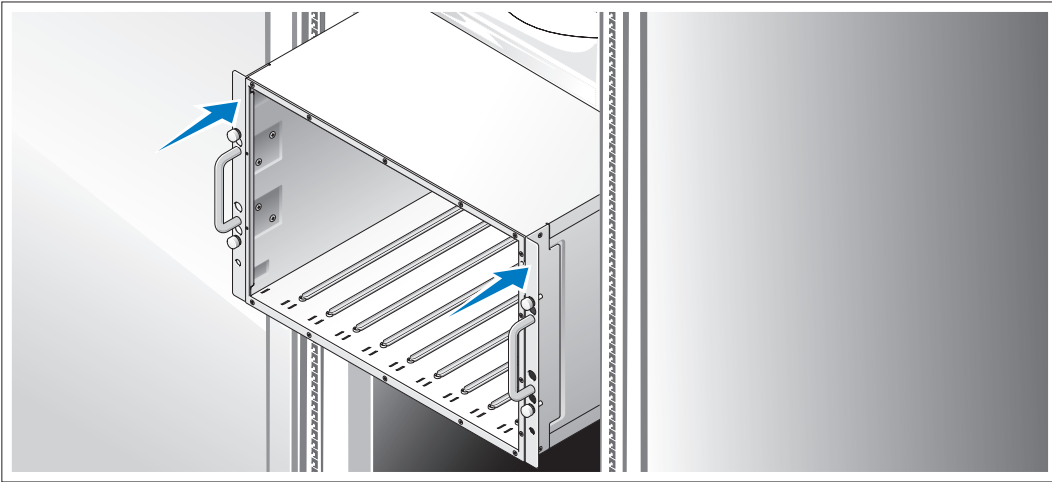
Cette section décrit les étapes à exécuter lors de la configuration initiale du système.

Déballage du système



- 1 Sortez le système de son emballage et identifiez chaque élément fourni.
Conservez les matériaux d'emballage au cas où vous en auriez besoin ultérieurement.

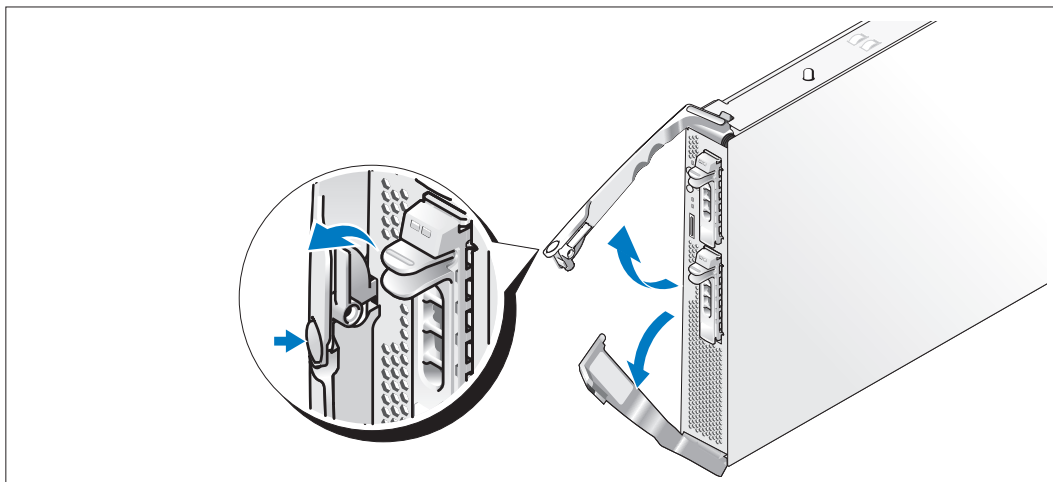
Installation du système dans un rack



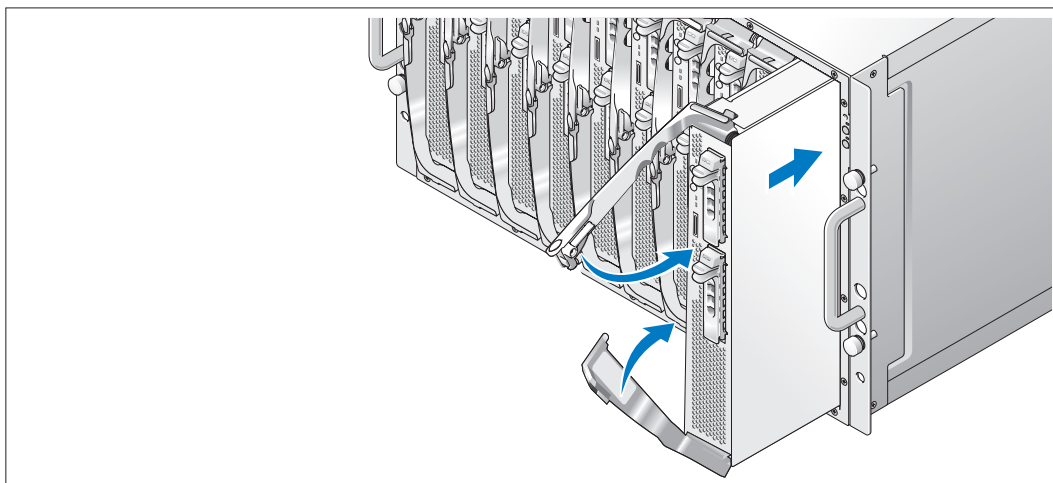
- 2 Commencez par lire les consignes de sécurité qui se trouvent dans la documentation d'installation du rack, puis installez le système dans le rack.

Consultez la documentation d'installation du rack pour obtenir les instructions appropriées.

Installation des modules serveurs

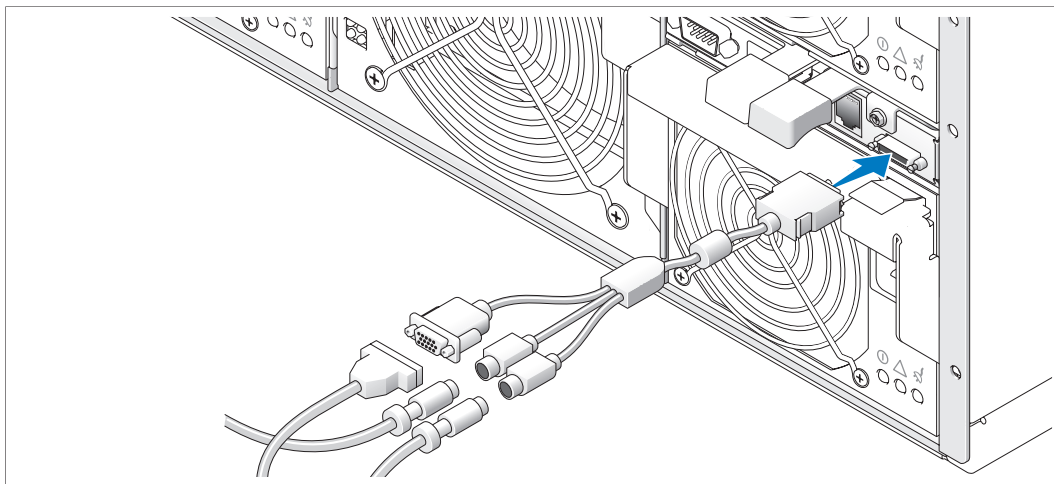


- 3** Avant d'installer chaque module, orientez-le de sorte que la poignée comportant le logo soit placée sur le dessus. L'inscription "TOP-SIDE" doit être orientée vers le haut. Appuyez sur la patte de dégagement située sur la face intérieure de cette poignée. Tirez les poignées supérieure et inférieure.



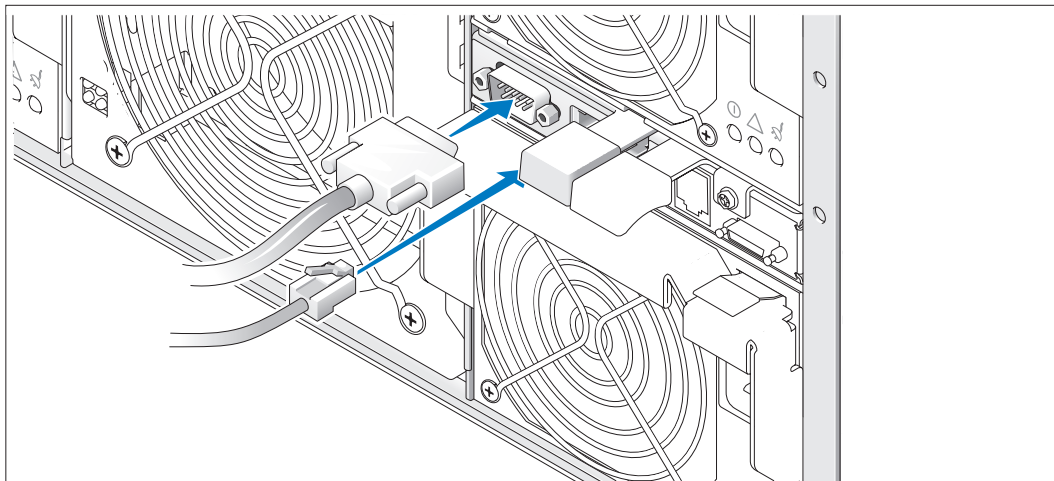
Insérez les modules dans le châssis, en procédant de gauche à droite. Lorsque les poignées ouvertes touchent le panneau avant du châssis, commencez à les faire pivoter en même temps (la poignée inférieure se ferme la première), jusqu'à ce que la poignée inférieure soit calée contre le panneau avant du module. Continuez à pousser la poignée supérieure vers le bas jusqu'à ce qu'elle se cale contre la poignée inférieure. Lorsque les poignées sont correctement fermées, le loquet de dégagement les maintient sur le panneau avant.

Connexion du clavier, de la souris et du moniteur



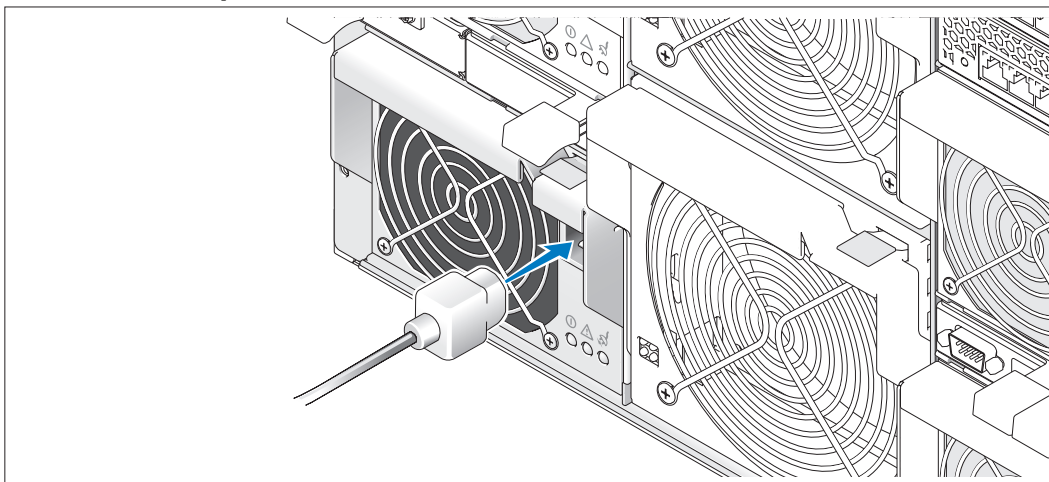
- 4 Connectez le câble modulable au module KVM puis connectez le clavier, la souris (facultatif) au câble.

Connexion du système de gestion



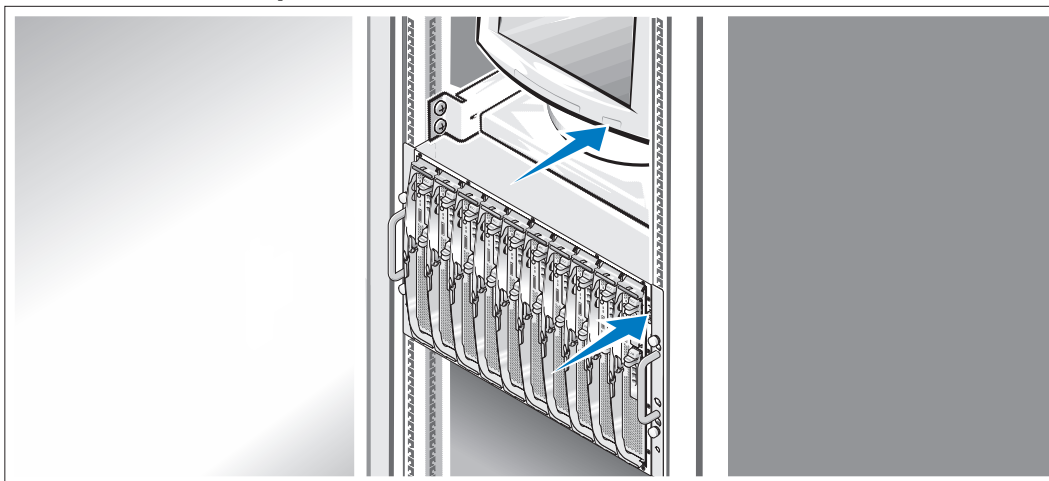
- 5 Connectez les câbles série et réseau du système de gestion au module DRAC/MC.

Branchement du système et du moniteur (facultatif) sur le secteur



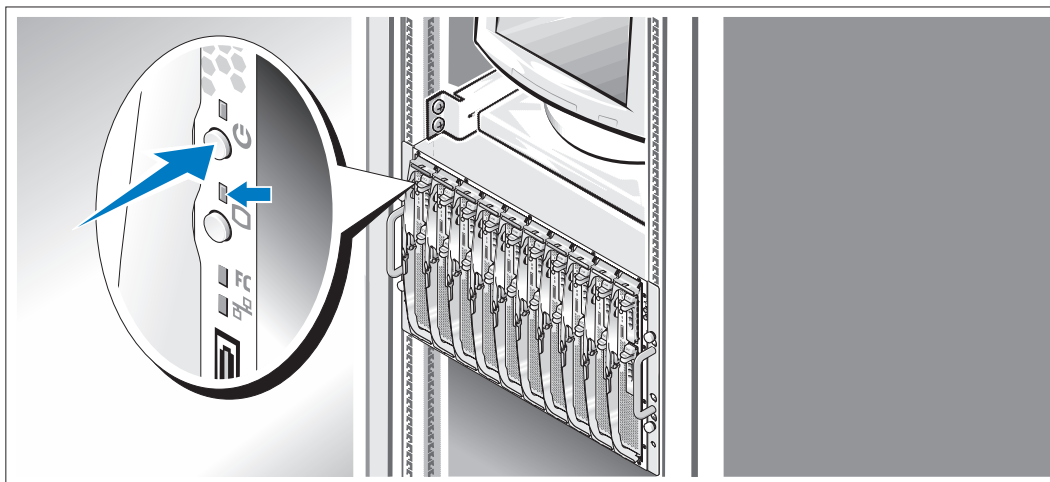
- 6 Branchez le(s) cordon(s) d'alimentation sur le système. Branchez ensuite l'autre extrémité du cordon sur une prise de courant mise à la terre ou sur une source d'alimentation autonome (onduleur ou unité de distribution de l'alimentation). Branchez le cordon d'alimentation du moniteur sur une prise de courant mise à la terre.

Mise sous tension du système et du moniteur (facultatif)



- 7 Appuyez sur le bouton d'alimentation du châssis et sur celui du moniteur. Les voyants d'alimentation doivent s'allumer. Réglez le moniteur jusqu'à ce que l'image affichée soit correcte.

Mise sous tension des modules serveurs



- 8 Mettez chaque module serveur sous tension en appuyant sur le bouton d'alimentation, ou en utilisant le logiciel de gestion des systèmes.

Les voyants KVM des modules serveurs indiquent le module auquel correspond l'image affichée.

Réglez le moniteur jusqu'à ce que l'image affichée soit correcte.

Finalisation de l'installation du système d'exploitation

Si vous avez acheté un système d'exploitation préinstallé, consultez tout d'abord la documentation correspondante, qui vous a été fournie avec le système. Si vous installez un système d'exploitation pour la première fois, consultez le document *Quick Installation Guide* (Guide d'installation rapide). Veillez à installer le système d'exploitation avant tout élément matériel ou logiciel acheté séparément.

Spécifications techniques

Module serveur

Processeur

Type de processeur	Jusqu'à deux processeurs Intel Xeon 5000 Sequence
--------------------	---

Mémoire

Architecture	Barrettes FB-DIMM DDR II à deux voies avec imbrication (533 ou 677 MHz, selon disponibilité)
Supports de module de mémoire	Huit à 240 broches
Modules mémoire compatibles	256 Mo, 512 Mo, 1 Go, 2 Go ou 4 Go
RAM minimale	512 Mo
RAM maximale	32 Go

Lecteurs

Disques durs

Configuration SAS	Un ou deux disques durs enfichables à chaud de 2,5 pouces
-------------------	---

Configuration SATA	Un ou deux disques durs enfichables à chaud de 2,5 pouces
--------------------	---

REMARQUE : un module serveur ne peut pas contenir à la fois des disques durs de type SAS et SATA.

Connecteurs

Accessibles de l'extérieur

À l'avant

Modulable	Prend en charge deux périphériques USB et un périphérique vidéo, à l'aide du câble modulable
-----------	--

Vidéo

Type de vidéo	Contrôleur vidéo ATI ES1000
---------------	-----------------------------

Mémoire vidéo	16 Mo
---------------	-------

Caractéristiques physiques

Hauteur	28,575 cm (11,25 pouces)
Largeur	4,241 cm (1,67 pouce)
Profondeur	50,8 cm (20 pouces)
Poids (configuration maximale)	7,257 kg (16 livres)

Pile

Pile du module serveur	Pile bouton au lithium-ion CR 2032 (3,0 V)
------------------------	--

Système

Châssis du système

Hauteur	31,038 cm (12,22 pouces)
Largeur	42,519 cm (16,74 pouces)
Profondeur	76,2 cm (30 pouces)
Poids (configuration maximale)	129,274 kg (285 livres)

Module d'alimentation

Bloc d'alimentation CA (selon la tension en vigueur)

Puissance	2100 W
Tension	170-264 VCA, 50/60 Hz, 15,8 A à 170 VCA, 9,9 A à 264 VCA
Dissipation thermique	3480 BTU/heure maximum (877 kcal/h)
Appel de courant maximal	Dans des conditions de lignes typiques et dans toute la gamme ambiante de fonctionnement du système, l'appel de courant peut atteindre 55 A par bloc d'alimentation pendant un maximum de 10 ms.

Caractéristiques physiques

Hauteur	9,70 cm (3,82 pouces)
Largeur	12,90 cm (5,08 pouces)
Profondeur	23,01cm (9,06 pouces)
Poids	3,288 kg (7,25 livres)

Module de ventilation

Caractéristiques physiques

Hauteur	14,732 cm (5,8 pouces)
Largeur	15,748 cm (6,2 pouces)
Profondeur	27,305 cm (10,75 pouces)
Poids	2,948 kg (6,5 livres)

Module KVM

Connecteurs accessibles de l'extérieur

Modulable	Câble modulable pour la connexion de deux périphériques PS/2 et d'un périphérique vidéo
Port ACI	RJ-45 (commutateur KVM analogique Avocent uniquement)
Ethernet	RJ-45 (commutateur KVM à accès numérique Avocent uniquement)

Caractéristiques physiques

Hauteur	2,54 cm (1 pouce)
Largeur	5,334 cm (2,1 pouces)
Profondeur	28,194 cm (11,1 pouces)
Poids	0,272 kg (0,6 livre)

Module DRAC/MC

Connecteurs accessibles de l'extérieur

Gestion à distance	RJ-45 10/100 dédié (pour contrôleur RAC Ethernet intégré)
Série	Connecteur DTE à 9 broches, compatible 16550

Pile

Pile du module	Pile bouton au lithium-ion CR 2032 (3,0 V)
----------------	--

Caractéristiques physiques

Hauteur	2,54 cm (1 pouce)
Largeur	7,493 cm (2,95 pouces)
Profondeur	26,03 cm (10,35 pouces)
Poids	0,363 kg (0,8 livre)

Module commutateur Ethernet PowerConnect 5316M

Connecteurs accessibles de l'extérieur

Ethernet Gigabit 10/100/1000 Mbps Six entrées RJ-45 à négociation automatique

Caractéristiques physiques

Hauteur 3,302 cm (1,3 pouce)
Largeur 13,081 cm (5,15 pouces)
Profondeur 27,432 cm (10,8 pouces)
Poids 0,816 kg (1,8 livre)

Module d'intercommunication Ethernet Gigabit

Connecteurs accessibles de l'extérieur

Ethernet Dix entrées RJ-45 (pour NIC intégrés 1 Gigabit)

REMARQUE : les entrées du module d'intercommunication ne prennent en charge que les connexions à 1000 Mbps.

Caractéristiques physiques

Hauteur 3,302 cm (1,3 pouce)
Largeur 13,081 cm (5,15 pouces)
Profondeur 27,432 cm (10,8 pouces)
Poids 0,816 kg (1,8 livre)

Module d'intercommunication Fibre Channel

Connecteurs accessibles de l'extérieur

Émetteur-récepteur Fibre Channel Dix connecteurs GPIO à 76 broches/3,5 Gbps

Caractéristiques physiques

Hauteur 3,302 cm (1,3 pouce)
Largeur 13,081 cm (5,15 pouces)
Profondeur 27,432 cm (10,8 pouces)
Poids 0,816 kg (1,8 livre)

Module commutateur Fibre Channel

Connecteurs accessibles de l'extérieur

Fibre Channel	Quatre ports universels à détection automatique (E, F et FL)
Ethernet 1/2/4 Gb/s	RJ-45

Caractéristiques physiques

Hauteur	3,302 cm (1,3 pouce)
Largeur	13,081 cm (5,15 pouces)
Profondeur	27,432 cm (10,8 pouces)
Poids	1,06 kg (2,35 livres)

Module d'intercommunication Infiniband

Connecteurs accessibles de l'extérieur

Infiniband	Dix ports 4X
------------	--------------

Caractéristiques physiques

Hauteur	3,302 cm (1,3 pouce)
Largeur	13,081 cm (5,15 pouces)
Profondeur	27,432 cm (10,8 pouces)
Poids	1,8 kg (4 livres)

Environnement

REMARQUE : pour plus d'informations concernant les mesures d'exploitation liées à différentes configurations spécifiques, rendez-vous sur le site www.dell.com/environmental_datasheets.

Le système n'est pas conçu pour être utilisé dans un bureau.

Température

En fonctionnement

De 10° à 35° C (50 à 95° F)

REMARQUE : au-dessus de 900 m (2955 pieds), la température maximale doit être diminuée de 1°C (1,8°F) tous les 300 m (985 pieds).

Stockage

De -40° à 65° C (-40° à 149° F)

Humidité relative

En fonctionnement

De 8% à 85% (sans condensation) avec un gradient d'humidité maximal de 10% par heure

Stockage

De 5% à 95% (sans condensation)

Tolérance maximale aux vibrations

Fonctionnement

0,25 G de 3 à 200 Hz pendant 15 mn

Stockage

0,5 G de 3 à 200 Hz pendant 15 mn

Choc maximal

Fonctionnement

Une impulsion de choc de 41 G pendant un maximum de 2 ms sur l'axe z positif (une impulsion de chaque côté du système)

Stockage

Six chocs consécutifs de 71 G pendant un maximum de 2 ms en positif et négatif sur les axes x, y et z (une impulsion de chaque côté du système)

Altitude

Fonctionnement

De -16 à 3 048 m (-50 à 10 000 pieds)

Stockage

De -16 à 10 600 m (-50 à 35 000 pieds)

Primeiros passos com o sistema

Notas, avisos e cuidados



NOTA: As NOTAS fornecem informações importantes que o ajudam a utilizar melhor o computador.



AVISO: As mensagens de AVISO informam sobre possíveis danos ao hardware ou perda de dados e indicam como evitar o problema.



CUIDADO: As mensagens de CUIDADO indicam possíveis danos de propriedade, ferimentos pessoais ou morte.

As informações contidas neste documento estão sujeitas a alterações sem aviso prévio.

© 2006 Dell Inc. Todos os direitos reservados.

É terminantemente proibida a reprodução de qualquer natureza sem a autorização por escrito da Dell Inc.

Marcas comerciais mencionadas neste texto: *Dell*, o logotipo da *DELL* e *Dell OpenManage* são marcas comerciais da Dell Inc.; *Microsoft* e *Windows* são marcas registradas *Windows Server* é marca comercial da Microsoft Corporation; *Intel* e *Xeon* são marcas registradas da Intel Corporation; *SUSE* é marca registrada da Novell, Inc.; *Red Hat* é marca registrada da Red Hat, Inc.

Outras marcas e nomes comerciais podem ser mencionados neste documento em referência às entidades proprietárias das marcas e nomes ou seus produtos. A Dell Inc. renuncia ao direito de qualquer participação em nomes e marcas comerciais que não sejam de sua propriedade.

Modelo **BMX**

Janeiro de 2006

P/N CD653

Rev. A00

Recursos do sistema

Esta seção descreve os principais recursos de hardware e software do sistema. Também fornece informações sobre outros documentos de que talvez necessite quando configurar o sistema e sobre como obter assistência técnica.

- Suporte para até dez módulos de servidor. O chassi admite de um até dez módulos de servidor. Caso sejam instalados menos de dez módulos de servidor no chassi, os espaços vazios para módulos serão necessários para o resfriamento adequado.
- O DRAC/MC (Dell™ Remote Access Controller/Modular Chassis – Controlador de Acesso Remoto/ Chassi Modular da Dell™), que proporciona acesso aos recursos do software de gerenciamento de sistemas.
 - Para acessar os recursos de gerenciamento de sistemas, conecte o cabo do modem nulo fornecido com o sistema entre a porta serial de gerenciamento e um PC externo. Também é possível obter informações sobre o gerenciamento do sistema por meio de um navegador da web conectado à porta de gerenciamento RJ-45. O software de gerenciamento de sistemas monitora o status do sistema e do módulo do servidor.
 - Circuito integrado de gerenciamento de sistemas que monitora o funcionamento dos ventiladores e as voltagens e temperaturas críticas do sistema. O circuito de gerenciamento de sistemas trabalha em conjunto com o software de gerenciamento de sistemas.
- Suporte para conectividade E/S, incluindo módulos de passagem e módulos de comutação de rede. Podem ser instalados até quatro módulos de E/S. Caso sejam instalados menos de quatro módulos, os módulos de E/S vazios serão necessários para o resfriamento adequado. As placas-filhas opcionais instaladas nos módulos de servidores possibilitam a conectividade E/S.
- Dois módulos de ventiladores de sistema com conexão automática. Cada módulo possui dois ventiladores substituíveis.
- Duas fontes de alimentação de 2100 W com conexão automática e dois módulos vazios para fontes de alimentação ou quatro fontes de alimentação de 2100 W com conexão automática. Duas fontes de alimentação fornecem energia ao sistema, enquanto que duas fontes adicionais proporcionam redundância.



AVISO: O sistema não admite fontes de alimentação de 1200 W.

Recursos do módulo do servidor

- Um ou dois processadores Intel® Xeon® Série 5000.
- Suporte para multiprocessamento simétrico (SMP), que melhora enormemente o desempenho geral do sistema dividindo as operações do processador entre processadores independentes. Para tirar vantagem desse recurso, utilize um sistema operacional que suporte o multiprocessamento.
- Memória mínima de 512 MB com fully-buffered DIMMs (FBD) DDR II de 533 MHz ou 677 MHz (quando disponível), atualizável até o máximo de 32 GB por meio da instalação de combinações de módulos de memória intercaláveis de duas vias de 256 MB, 512 MB, 1 GB, 2 GB ou 4 GB nos oito soquetes para módulos de memória da placa do sistema.

O sistema também admite sobressalência ou espelhamento de memória, caso todos os oito soquetes para módulos de memória estejam ocupados com módulos idênticos.

- Suporte para até duas unidades de disco rígido SAS ou SATA de 2,5 pol. com conexão automática.
- ✎ **NOTA:** As unidades de disco rígido SAS e SATA não podem ser misturadas no mesmo módulo de servidor.
- O espelhamento integrado de unidades internas permite que dois discos sejam espelhados por meio do controlador RAID integrado.
- Uma porta externa para admitir dispositivos USB com a utilização do cabo padrão. Os dispositivos USB incluem mouse, teclado, unidade flash, unidade de disquete de 1.44 MB de 3,5 pol. ou unidade óptica.

✎ **NOTA:** O sistema admite somente unidades ópticas e de disquete USB fornecidas pela Dell. Utilize somente cabos compatíveis com o padrão USB 2.0, com comprimento igual ou inferior a três metros.

- Um subsistema de vídeo compatível com o padrão VGA, com um controlador de vídeo ATI ES1000. O subsistema de vídeo contém 16 MB de memória de vídeo SDRAM (não atualizável). A resolução máxima é de 1280 x 1024 x 65.000 cores (não entrelaçada).
- Circuito de gerenciamento de sistemas que monitora o funcionamento dos ventiladores do sistema e as voltagens e temperaturas críticas. O circuito de gerenciamento de sistemas trabalha em conjunto com o software de gerenciamento de sistemas.

Para obter mais informações sobre recursos específicos, consulte a seção “Especificações técnicas”.

O sistema é fornecido com os seguintes softwares:

- Um programa de configuração do sistema (System Setup) para exibição e alteração rápidas das informações de configuração do sistema. Para obter mais informações sobre esse programa, consulte a seção “Como utilizar o programa de configuração do sistema” no *Hardware Owner’s Manual* (Manual do proprietário de hardware).
- Recursos aperfeiçoados de segurança, incluindo uma senha de sistema e uma senha de configuração, disponíveis por meio do programa de configuração do sistema.
- Diagnóstico do sistema para avaliação de componentes e dispositivos do sistema. Para obter informações sobre o uso do diagnóstico do sistema, consulte a seção “Como executar o diagnóstico do sistema” no *Hardware Owner’s Manual* (Manual do proprietário de hardware).

- Drivers de vídeo para a exibição de vários aplicativos populares em modos de alta resolução.
- Software e documentação de gerenciamento de sistemas. Utiliza-se o software de gerenciamento de sistemas para gerenciar e monitorar cada módulo de servidor individualmente, bem como o sistema como um todo, incluindo todos os módulos de servidores, módulos de comutação de rede, fontes de alimentação e ventiladores. O software de gerenciamento de sistemas gerencia o sistema de forma local e remota, quando em rede. A Dell recomenda a utilização do software de gerenciamento de sistemas fornecido com o sistema.
- Softwares de soluções opcionais para hospedagem web, memória cache ou equilíbrio de carga. Consulte a documentação do software de soluções para obter mais informações.

Sistemas operacionais admitidos

O sistema admite para os seguintes sistemas operacionais:


- Microsoft® Windows® 2000 Server e Advanced Server com Service Pack 4 ou posterior.
- Microsoft Windows Server™ 2003 Standard Edition, Enterprise Edition e Web Edition com Service Pack 1 ou posterior.
- Microsoft Windows Server 2003, Standard e Enterprise x64 Edition.
- Red Hat® Enterprise Linux AS, ES e WS (versão 3) para Intel x86.
- Red Hat Enterprise Linux AS, ES e WS (versão 4) para Intel x86.
- Red Hat Enterprise Linux para Intel Extended Memory 64 Technology (Intel EM64T) AS, ES e WS (versão 4).
- SuSE® Linux Enterprise Server 9 para Intel EM64T.

Outras informações úteis



CUIDADO: O *Guia de informações do produto* fornece informações importantes sobre segurança e regulamentação. As informações sobre garantia podem estar incluídas nesse documento ou ser fornecidas como documento separado.

- O documento *Rack Installation Guide* (Guia para instalação em rack) ou *Rack Installation Instructions* (Instruções para montagem em rack) incluído com a solução em rack descreve como instalar o sistema em racks.
- O *Hardware Owner's Manual* (Manual do proprietário de hardware) fornece informações sobre os recursos do sistema e descreve como solucionar problemas do sistema e instalar ou substituir seus componentes.
- O *Dell OpenManage Baseboard Management Controller User's Guide* (Guia do usuário do controlador de gerenciamento da placa de base Dell Open Manage) fornece informações detalhadas sobre a utilização do BMC.

- O *Dell Remote Access Controller/Modular Chassis User's Guide* (Guia do usuário do Controlador de Acesso Remoto/Chassi Modular da Dell) fornece informações detalhadas sobre a utilização dos recursos de gerenciamento remoto do sistema.
 - O *Configuration Guide* (Guia de configuração) fornece informações sobre a configuração do sistema e dos módulos de servidores do sistema.
 - Os CDs incluídos com o sistema fornecem documentação e ferramentas para a configuração e o gerenciamento do sistema.
 - A documentação do software de gerenciamento de sistemas descreve os recursos, os requisitos, a instalação e o funcionamento básico do software.
 - A documentação do sistema operacional descreve como instalar (se necessário), configurar e utilizar o software do sistema operacional.
 - A documentação para quaisquer componentes adquiridos em separado fornece informações para configurar e instalar esses opcionais.
 - Às vezes, atualizações são fornecidas com o sistema para descrever mudanças ao sistema, software e/ou à documentação.
-  **NOTA:** Verifique sempre as atualizações disponíveis no site support.dell.com (em Inglês) e leia sempre as atualizações em primeiro lugar, pois estas geralmente substituem informações contidas em outros documentos.
- Talvez existam notas de versão e arquivos leia-me incluídos para fornecer as atualizações mais recentes do sistema ou documentação/material para referência técnica avançada destinados a usuários experientes ou técnicos.

Como obter assistência técnica

Se não compreender algum procedimento descrito neste guia ou se o sistema não apresentar o desempenho esperado, consulte o *Hardware Owner's Manual* (Manual do proprietário de hardware).

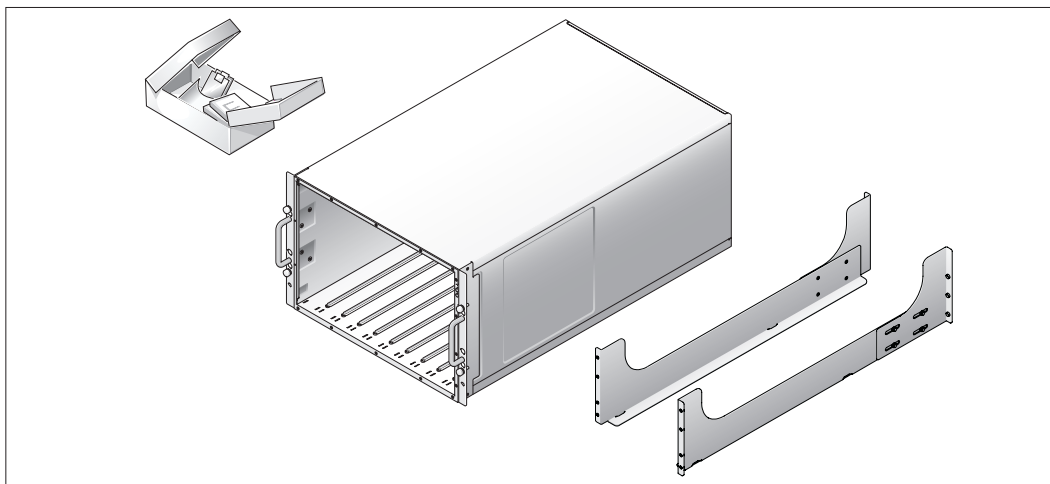
Existem recursos de treinamento e certificação empresarial da Dell; visite o site www.dell.com/training (em Inglês) para obter mais informações. Esse serviço pode não ser oferecido em todos os locais.

Instalação e configuração

⚠ CUIDADO: Antes de realizar o seguinte procedimento, leia e siga as instruções de segurança e as informações importantes sobre regulamentação contidas no *Guia de informações do produto*.

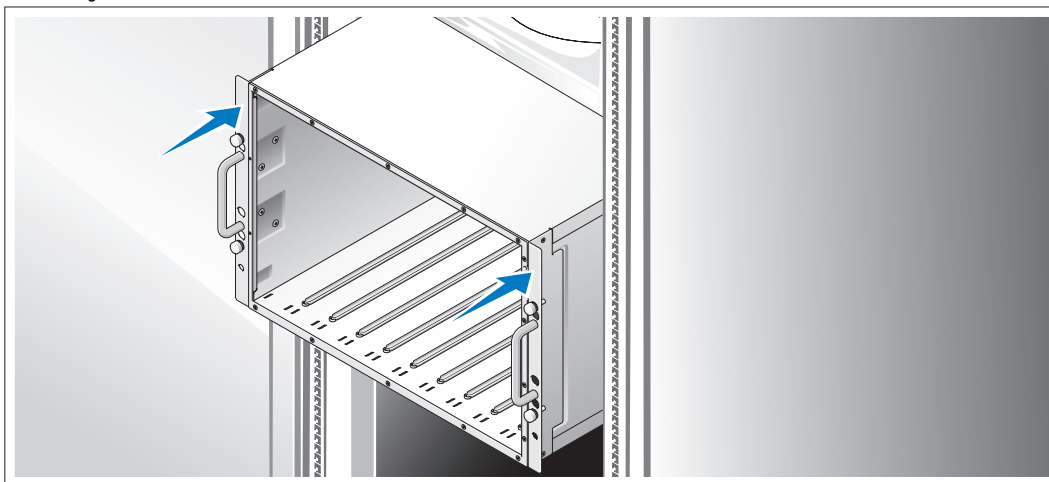
Esta seção descreve as etapas necessárias para a configuração do sistema pela primeira vez.

Remoção do sistema da embalagem



- 1 Remova o sistema da embalagem e identifique cada item.
Guarde todos os materiais de envio caso sejam necessários mais tarde.

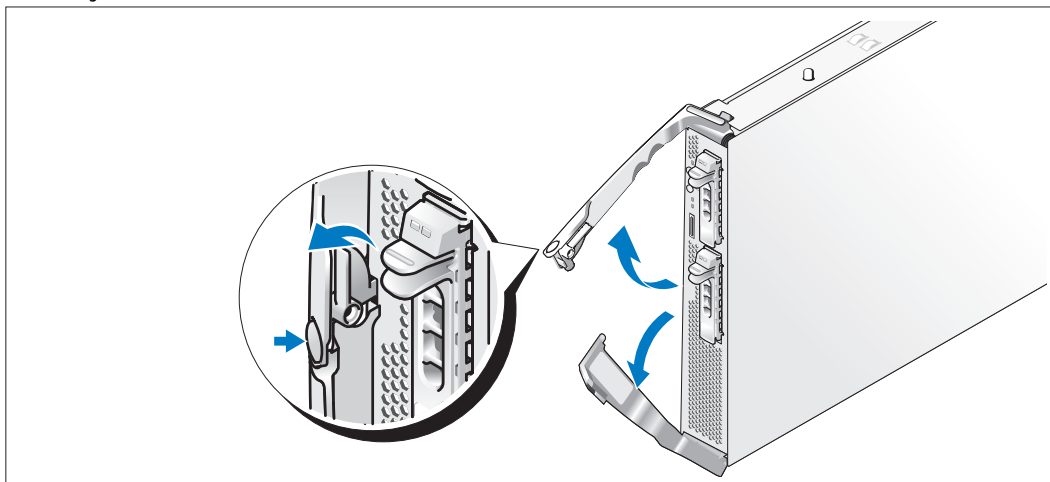
Instalação do sistema no rack



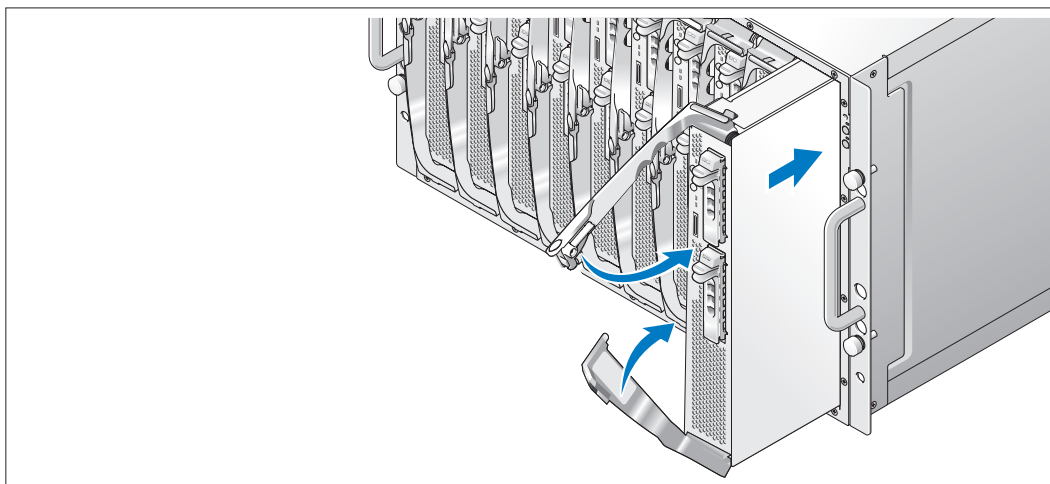
- 2 Instale o sistema no rack depois de ler as instruções de segurança localizadas na documentação de instalação em rack para o sistema.

Consulte o documento de instalação em rack para obter instruções sobre como instalar o sistema em um rack.

Instalação dos módulos de servidores

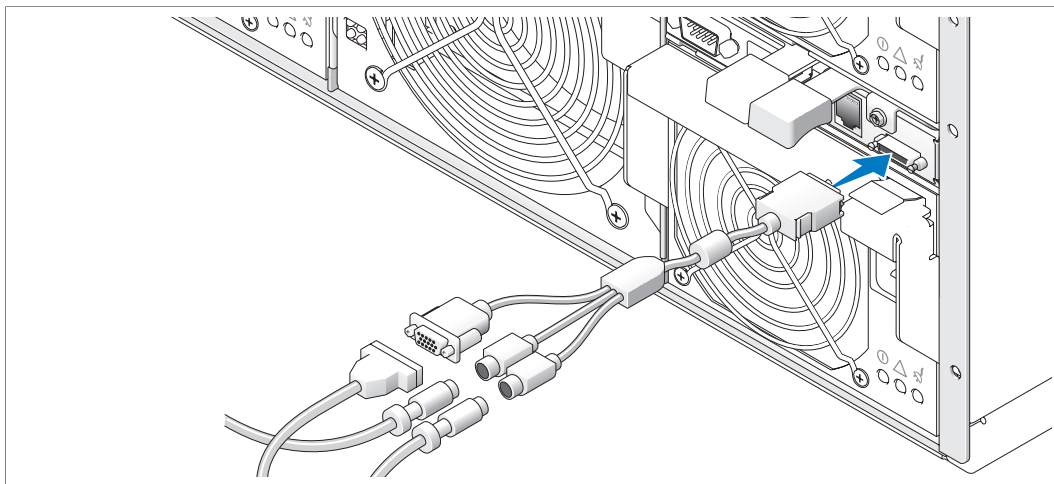


- 3 Antes de instalar os módulos, oriente cada um deles de forma que a alça superior tenha o logotipo impresso nela e a indicação “TOP-SIDE” (Lado superior) na borda do módulo voltados para cima. Pressione a trava de liberação localizada no interior da alça superior. Puxe as alças superior e inferior para fora.



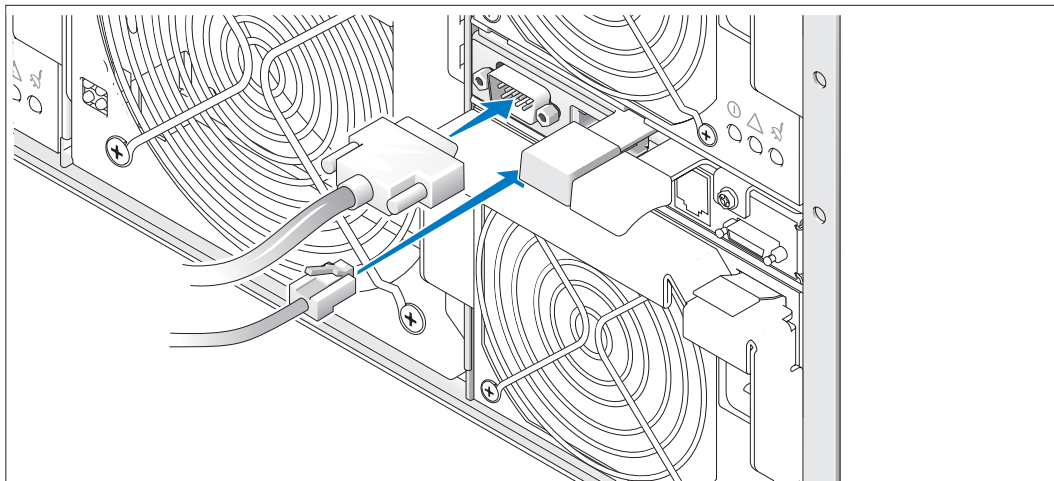
Começando da esquerda para a direita, deslize os módulos para dentro do chassis. Quando as alças abertas tocarem o painel frontal do chassis, gire-as simultaneamente (a alça inferior fechará primeiro) até que a alça inferior fique rente ao painel frontal do módulo. Continue a girar a alça superior para baixo até que fique rente à alça inferior. Quando as alças estiverem completamente fechadas, a trava de liberação prenderá as duas alças ao painel frontal.

Conexão do teclado, mouse e monitor



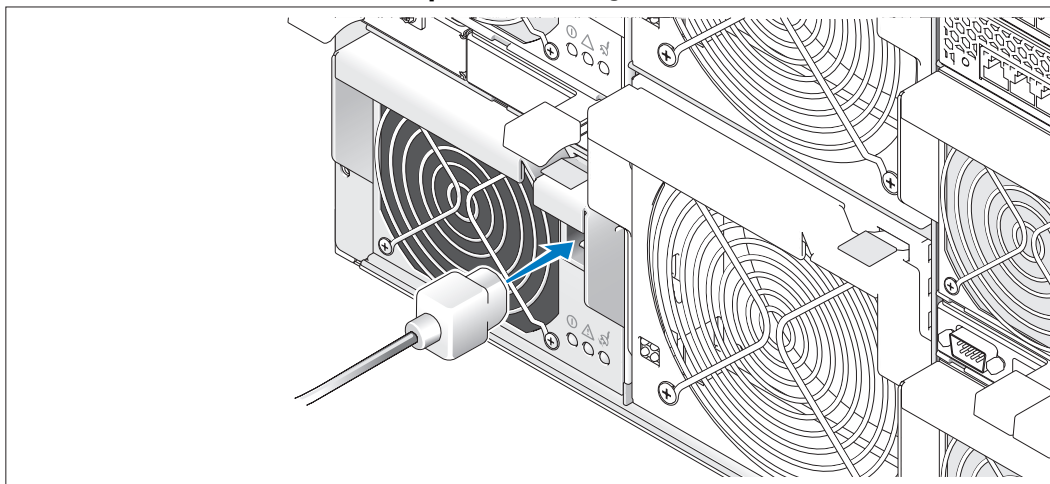
- 4 Conecte o cabo padrão ao módulo KVM e, em seguida, conecte o teclado, o mouse e o monitor (opcional) a esse cabo.

Conexão do sistema de gerenciamento



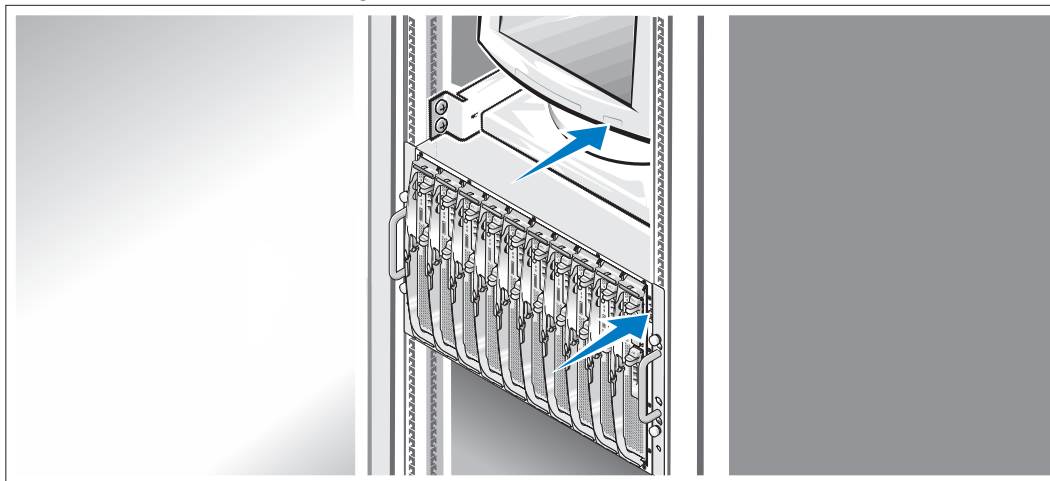
- 5 Conecte os cabos serial e de rede do sistema de gerenciamento ao módulo DRAC/MC.

Conexão do sistema e do monitor (opcional) à energia



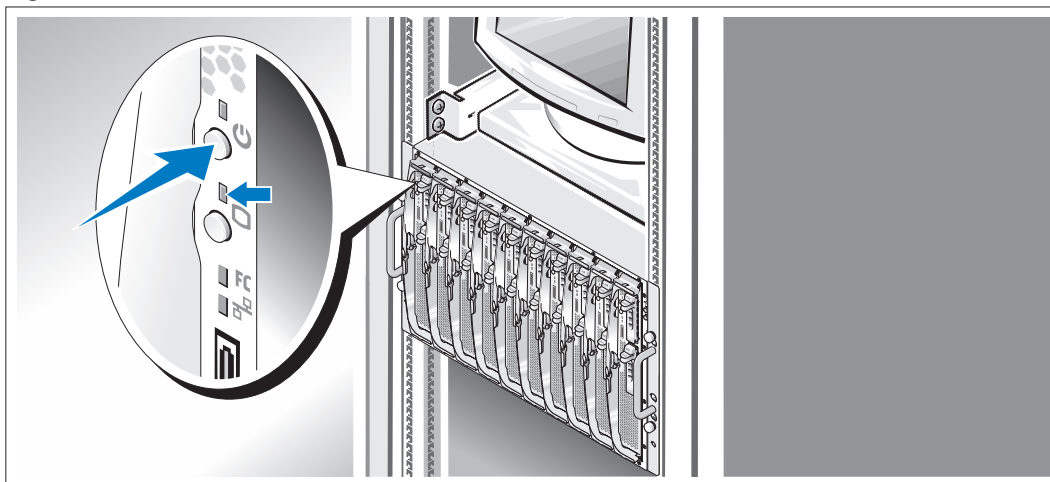
- 6 Conecte os cabos de alimentação ao sistema. Em seguida, conecte a outra extremidade do cabo a uma tomada elétrica aterrada ou a uma fonte de energia separada como, por exemplo, uma UPS (Uninterruptible Power Supply - Fonte de alimentação contínua) ou uma PDU (Power Distribution Unit - Unidade de distribuição de energia). Conecte o cabo de alimentação do monitor a uma tomada elétrica aterrada.

Ligue o sistema e o monitor (opcional)



- 7 Pressione o botão Liga/Desliga do chassi e do monitor. As luzes indicadoras de energia deverão se acender. Ajuste os controles do monitor até que a imagem exibida seja satisfatória.

Ligue os módulos do servidor



- 8 Pressione o botão liga/desliga de cada módulo do servidor ou ligue os módulos através do software de gerenciamento de sistemas.

Os indicadores KVM dos módulos do servidor identificam o vídeo do módulo do servidor exibido.

Ajuste os controles do monitor até que a imagem exibida seja satisfatória.

Conclua a configuração do sistema operacional

Caso tenha adquirido um sistema operacional pré-instalado, consulte a respectiva documentação fornecida com o sistema. Para instalar um sistema operacional pela primeira vez, consulte o *Guia de instalação rápida*. Certifique-se de que o sistema operacional esteja instalado antes de instalar qualquer hardware ou software que não tenha sido adquirido com o sistema.

Especificações técnicas

Módulo do servidor

Processador

Tipo de processador	Até dois processadores Intel Xeon Série 5000
---------------------	--

Memória

Arquitetura	DIMMs FBD DDR II com intercalação de duas vias, classificados para operação a 533 ou 677 MHz (quando disponível)
Soquetes dos módulos de memória	Oito de 240 pinos
Capacidades dos módulos de memória	256 MB, 512 MB, 1 GB, 2 GB ou 4 GB
RAM mínima	512 MB
RAM máxima	32 GB

Unidades

Unidades de disco rígido

Configuração SAS	Uma ou duas unidades de disco rígido de 2,5 pol. com conexão automática
------------------	---

Configuração SATA	Uma ou duas unidades de disco rígido de 2,5 pol. com conexão automática
-------------------	---

NOTA: As unidades de disco rígido SAS e SATA não podem ser misturadas no mesmo módulo de servidor.

Conectores

Acessíveis externamente

Parte frontal

Padrão	Admite até dois dispositivos USB e de vídeo por meio do cabo padrão
--------	---

Vídeo

Tipo de vídeo	Controlador de vídeo ATI ES1000
---------------	---------------------------------

Memória de vídeo	16 MB
------------------	-------

Características físicas

Altura	28,575 cm (11,25 pol.)
Largura	4,241 cm (1,67 pol.)
Profundidade	50,8 cm (20 pol.)
Peso (configuração máxima)	7,257 kg (16 lb.)

Bateria

Bateria do módulo do servidor	Pilha do tipo moeda, de íon de lítio, CR 2032 de 3,0 V
-------------------------------	--

Sistema

Invólucro do sistema

Altura	31,038 cm (12,22 pol.)
Largura	42,519 cm (16,74 pol.)
Profundidade	76,2 cm (30 pol.)
Peso (configuração máxima)	129,274 kg (285 lb.)

Módulo da fonte de alimentação

Fonte de alimentação CA (por fonte de alimentação)

Potência	2100 W
Voltagem	170-264 VCA, 50/60 Hz; 15,8 A a 170 VCA, 9,9 A a 264 VCA
Dissipação de calor	3480 BTUs/hora (máxima)
Corrente de entrada máxima	Sob condições de linha típicas e dentro de todo o intervalo de temperatura ambiente de funcionamento do sistema, a corrente de entrada poderá atingir 55 A por fonte de alimentação por 10 ms ou menos.

Características físicas

Altura	9,70 cm (3,82 pol.)
Largura	12,90 cm (5,08 pol.)
Profundidade	23,01cm (9,06 pol.)
Peso	3,288 kg (7,25 lb.)

Módulo do ventilador

Características físicas

Altura	14,732 cm (5,8 pol.)
Largura	15,748 cm (6,2 pol.)
Profundidade	27,305 cm (10,75 pol.)
Peso	2,948 kg (6,5 lb.)

Módulo KVM

Conectores acessíveis externamente

Padrão	Cabo padrão para dois conectores PS/2 e um conector de vídeo
Porta ACI	RJ-45 (somente comutador KVM analógico Avocent)
Ethernet	RJ-45 (somente comutador KVM de acesso digital Avocent)

Características físicas

Altura	2,54 cm (1 pol.)
Largura	5,334 cm (2,1 pol.)
Profundidade	28,194 cm (11,1 pol.)
Peso	0,272 kg (0,6 lb.)

Módulo DRAC/MC

Conectores acessíveis externamente

Gerenciamento remoto	Um conector RJ-45 10/100 dedicado (para controlador de acesso remoto Ethernet integrado)
Serial	DTE de 9 pinos, compatível com 16550

Bateria

Bateria do módulo	Pilha do tipo moeda, de íon de lítio, CR 2032 de 3,0 V
-------------------	--

Características físicas

Altura	2,54 cm (1 pol.)
Largura	7,493 cm (2,95 pol.)
Profundidade	26,03 cm (10,35 pol.)
Peso	0,363 kg (0,8 lb.)

Módulo de comutação PowerConnect 5316M Ethernet

Conectores acessíveis externamente

Gb Ethernet de 10/100/1000 Mbps Seis conexões RJ-45 autonegociáveis

Características físicas

Altura 3,302 cm (1,3 pol.)
Largura 13,081 cm (5,15 pol.)
Profundidade 27,432 cm (10,8 pol.)
Peso 0,816 kg (1,8 lb.)

Módulo de passagem Gb Ethernet

Conectores acessíveis externamente

Ethernet Dez conexões RJ-45 (para NICs integradas de 1 Gbps)

NOTA: As conexões de passagem admitem somente conexão a 1000 Mbps.

Características físicas

Altura 3,302 cm (1,3 pol.)
Largura 13,081 cm (5,15 pol.)
Profundidade 27,432 cm (10,8 pol.)
Peso 0,816 kg (1,8 lb.)

Módulo de passagem do canal de fibra óptica

Conectores acessíveis externamente

Transceptor do canal de fibra óptica Dez receptáculos de transceptor GPIO de 76 pinos e 3.5 Gbps

Características físicas

Altura 3,302 cm (1,3 pol.)
Largura 13,081 cm (5,15 pol.)
Profundidade 27,432 cm (10,8 pol.)
Peso 0,816 kg (1,8 lb.)

Módulo de comutação do canal de fibra óptica

Conectores acessíveis externamente

Canal de fibra óptica	Quatro portas auto-sensíveis universais (E, F e FL)
1/2/4 Gb/s Ethernet	RJ-45

Características físicas

Altura	3,302 cm (1,3 pol.)
Largura	13,081 cm (5,15 pol.)
Profundidade	27,432 cm (10,8 pol.)
Peso	1,06 kg (2,35 lb.)

Módulo de passagem Infiniband

Conectores acessíveis externamente

Infiniband	Dez portas 4X
------------	---------------

Características físicas

Altura	3,302 cm (1,3 pol.)
Largura	13,081 cm (5,15 pol.)
Profundidade	27,432 cm (10,8 pol.)
Peso	1,8 kg (4 lb.)

Características ambientais

NOTA: Para obter informações adicionais sobre os valores ambientais para configurações de sistema específicas, visite o site www.dell.com/environmental_datasheets (em Inglês). O sistema não se destina à utilização em escritórios.

Temperatura

Operacional

10 °C a 35 °C (50 °F a 95 °F)

NOTA: Diminua a temperatura máxima em 1 °C (1,8 °F) para cada 300 m (985 pés), acima de 900 m (2955 pés) de altitude.

Armazenamento

-40 °C a 65 °C (-40 °F a 149 °F)

Umidade relativa

Operacional

8% a 85% (sem condensação) com variação de umidade máxima de 10% por hora

Armazenamento

5% a 95% (sem condensação)

Vibração máxima

Operacional

0,25 G a 3-200 Hz por 15 minutos

Armazenamento

0,5 G a 3-200 Hz por 15 minutos

Choque máximo

Operacional

Um pulso de choque no eixo z positivo (um pulso de cada lado do sistema) de 41 G por até 2 ms

Armazenamento

Seis pulsos de choque executados de forma consecutiva nos eixos x, y e z positivos e negativos (um pulso de cada lado do sistema) de 71 G por até 2 ms

Altitude

Operacional

-16 m a 3.048 m (-50 a 10.000 pés)

Armazenamento

-16 a 10.600 m (-50 a 35.000 pés)

Procedimientos iniciales con el sistema

Notas, avisos y precauciones



NOTA: una NOTA proporciona información importante que le ayudará a utilizar mejor el ordenador.



AVISO: un AVISO indica la posibilidad de daños en el hardware o la pérdida de datos, e informa de cómo evitar el problema.



PRECAUCIÓN: un mensaje de PRECAUCIÓN indica el riesgo de daños materiales, lesiones o incluso la muerte.

La información contenida en este documento puede modificarse sin previo aviso.

© 2006 Dell Inc. Reservados todos los derechos.

Queda estrictamente prohibida la reproducción de este documento en cualquier forma sin la autorización por escrito de Dell Inc.

Marcas comerciales utilizadas en este texto: *Dell*, el logotipo de *DELL* y *Dell OpenManage* son marcas comerciales de Dell Inc.; *Microsoft* y *Windows* son marcas comerciales registradas y *Windows Server* es una marca comercial de Microsoft Corporation; *Intel* y *Xeon* son marcas comerciales registradas de Intel Corporation; *SUSE* es una marca comercial registrada de Novell, Inc.; *Red Hat* es una marca comercial registrada de Red Hat, Inc.

Otras marcas y otros nombres comerciales pueden utilizarse en este documento para hacer referencia a las entidades que los poseen o a sus productos. Dell Inc. renuncia a cualquier interés sobre la propiedad de marcas y nombres comerciales que no sean los suyos.

Modelo **BMX**

Enero de 2006

P/N CD653

Rev. A00

Características del sistema

En esta sección se describen las principales características de hardware y software del sistema. También se ofrece información sobre otros documentos que puede necesitar al instalar el sistema y sobre cómo obtener asistencia técnica.

- Soporte para hasta 10 módulos de servidor. El chasis puede admitir de uno a diez módulos de servidor. Si el chasis tiene instalados menos de diez módulos de servidor, son necesarios paneles de relleno de módulos de servidor para mantener una refrigeración adecuada.
- Dell™ Remote Access Controller/Modular Chassis (DRAC/MC), que proporciona acceso a las características de software de administración de sistemas.
 - Para acceder a las características de administración de sistemas, conecte el cable de módem nulo suministrado con el sistema entre el puerto de administración serie y un ordenador externo. También puede obtener información de administración de sistemas a través de un explorador Web conectado al puerto de administración RJ-45. El software de administración de sistemas supervisa el estado del sistema y del módulo de servidor.
 - Circuitos de administración de sistemas integrados que supervisan el funcionamiento de los ventiladores del sistema y los voltajes y temperaturas críticos del sistema. Los circuitos de administración de sistemas funcionan conjuntamente con el software de administración de sistemas.
- Soporte para conectividad de E/S, que incluye módulos de paso a través y módulos de conmutación de red. Pueden instalarse hasta cuatro módulos de E/S. Si hay instalados menos de cuatro módulos, se requieren módulos de relleno de E/S para mantener una refrigeración adecuada. Las tarjetas secundarias opcionales instaladas en los módulos de servidor activan la conectividad de E/S.
- Dos módulos de ventilador del sistema de acoplamiento activo. Cada módulo de ventilador contiene dos ventiladores reemplazables.
- Dos fuentes de alimentación de acoplamiento activo de 2 100 vatios y dos paneles de relleno para el hueco de la fuente de alimentación o cuatro fuentes de alimentación de acoplamiento activo de 2 100 vatios. Dos fuentes de alimentación proporcionan alimentación al sistema; dos fuentes de alimentación adicionales proporcionan redundancia.



AVISO: no se admiten fuentes de alimentación de 1 200 vatios.

Componentes del módulo de servidor


- Uno o dos procesadores Intel® Xeon® 5000 Sequence.
- Compatibilidad con SMP (multiprocesamiento simétrico), que mejora en gran medida el rendimiento global del sistema al repartir las operaciones del procesador entre procesadores independientes. Para aprovechar esta característica, se debe usar un sistema operativo que admita el multiprocesamiento.
- Un mínimo de 512 MB de módulos de memoria DIMM con búfer completo (FB-DIMM) DDR II de 533 MHz o 677 MHz (si están disponibles), actualizables hasta un máximo de 32 GB mediante la instalación de combinaciones de módulos de memoria con intercalado de 2 vías de 256 MB, 512 MB, 1 GB, 2 GB o 4 GB en los ocho zócalos de módulo de memoria de la placa base.

El sistema también admite sustitución de memoria o duplicación de memoria si los ocho zócalos de módulo de memoria están ocupados con módulos de memoria idénticos.

- Soporte para hasta dos unidades de disco duro de acoplamiento activo SAS o SATA de 2,5 pulgadas.

 **NOTA:** las unidades de disco duro SAS y SATA no pueden combinarse en un módulo de servidor.

- La duplicación de unidades internas integradas permite la duplicación de dos discos mediante la controladora RAID integrada.
- Un puerto externo para admitir dispositivos USB mediante el cable personalizado. Los dispositivos USB incluyen un ratón, un teclado, una unidad flash, una unidad de disquete de 3,5 pulgadas y 1,44 MB o una unidad óptica.

 **NOTA:** sólo se admiten las unidades de disquete y las unidades ópticas USB suministradas por Dell. Utilice únicamente un cable compatible con USB 2.0 con una longitud no superior a 3 metros.

- Un subsistema de vídeo integrado compatible con VGA con una controladora de vídeo ATI ES1000. Este subsistema de vídeo contiene 16 MB de memoria de vídeo SDRAM (no ampliable). La resolución máxima es de 1 280 x 1 024 con 65 000 colores (no entrelazados).
- Circuitos de administración de sistemas que supervisan el funcionamiento de los ventiladores del sistema, así como los voltajes y las temperaturas críticos del sistema. Los circuitos de administración de sistemas funcionan junto con el software de administración de sistemas.

Para obtener más información sobre características específicas, consulte “Especificaciones técnicas”.

El sistema incluye el software siguiente:

- Un programa de configuración del sistema que permite ver y cambiar rápidamente la información de configuración del sistema. Para obtener más información sobre este programa, consulte “Uso del programa de configuración del sistema” en el *Manual del propietario del hardware*.
- Funciones de seguridad mejoradas, incluidas una contraseña del sistema y una contraseña de configuración, disponibles a través del programa de configuración del sistema.
- Diagnósticos del sistema para evaluar los componentes y dispositivos del sistema. Para obtener información sobre el uso de los diagnósticos del sistema, consulte “Ejecución de los diagnósticos del sistema” en el *Manual del propietario del hardware*.

- Controladores de vídeo para visualizar los programas de aplicación más populares en modos de alta resolución.
- Software y documentación de administración de sistemas. El software de administración de sistemas se utiliza para administrar y supervisar los módulos de servidor individualmente, así como el sistema en su totalidad, incluidos todos los módulos de servidor, módulos de conmutación de red, fuentes de alimentación y ventiladores. El software de administración de sistemas administra el sistema de forma local o remota en una red. Dell recomienda el uso del software de administración de sistemas que se incluye con este sistema.
- Software de soluciones opcionales para alojamiento Web, almacenamiento en caché o equilibrado de carga. Consulte la documentación del software de soluciones para obtener más información.

Sistemas operativos admitidos

El sistema admite los siguientes sistemas operativos:


- Microsoft® Windows® 2000 Server y Advanced Server con Service Pack 4 o posterior
- Microsoft Windows Server™ 2003 Standard Edition, Enterprise Edition y Web Edition con Service Pack 1 o posterior
- Microsoft Windows Server 2003 Standard Edition y Enterprise x64 Edition
- Red Hat® Enterprise Linux AS, ES y WS (versión 3) para Intel x86
- Red Hat Enterprise Linux AS, ES y WS (versión 4) para Intel x86
- Red Hat Enterprise Linux para Intel Extended Memory 64 Technology (Intel EM64T) AS, ES y WS (versión 4)
- SuSE® Linux Enterprise Server 9 para Intel EM64T

Otra información necesaria



PRECAUCIÓN: en la *Guía de información del producto* se proporciona información importante sobre seguridad y normativas. La información de la garantía puede estar incluida en este documento o constar en un documento aparte.

- En los documentos *Guía de instalación del rack* o *Instrucciones de instalación del rack*, incluidos con el rack, se describe cómo instalar el sistema en un rack.
- En el *Manual del propietario del hardware* se proporciona información sobre las características del sistema y se describe cómo solucionar problemas del sistema e instalar o reemplazar componentes del sistema.
- En la publicación *Dell OpenManage Baseboard Management Controller User's Guide* (Guía del usuario de la controladora de administración de la placa base de Dell OpenManage) se proporciona información detallada sobre el uso de la BMC.

- En la publicación *Dell Remote Access Controller/Modular Chassis User's Guide* (Guía del usuario de DRAC/MC) se proporciona información detallada sobre el uso de las funciones de administración remota del sistema.
 - En la *Guía de configuración* se proporciona información sobre la configuración del sistema y los módulos de servidor del sistema.
 - Los CD que se facilitan con el sistema proporcionan documentación y herramientas para configurar y administrar el sistema.
 - En la documentación del software de administración de sistemas se describen los componentes, los requisitos, la instalación y el funcionamiento básico del software.
 - En la documentación del sistema operativo se describe cómo instalar (si es necesario), configurar y utilizar el software del sistema operativo.
 - En la documentación de los componentes adquiridos por separado se incluye información para configurar e instalar las opciones correspondientes.
 - Algunas veces, con el sistema se incluyen actualizaciones que describen los cambios realizados en la documentación, en el software o en el sistema.
-  **NOTA:** compruebe si hay actualizaciones en support.dell.com y, si las hay, léelas antes de proceder a la instalación, puesto que a menudo sustituyen la información contenida en otros documentos.
- Es posible que se incluyan notas de la versión o archivos Léame para proporcionar actualizaciones de última hora relativas al sistema o a la documentación, o material de consulta técnica avanzada destinado a técnicos o usuarios experimentados.

Obtención de asistencia técnica

Si no comprende un procedimiento de esta guía o si el sistema no funciona del modo esperado, consulte el *Manual del propietario del hardware*.

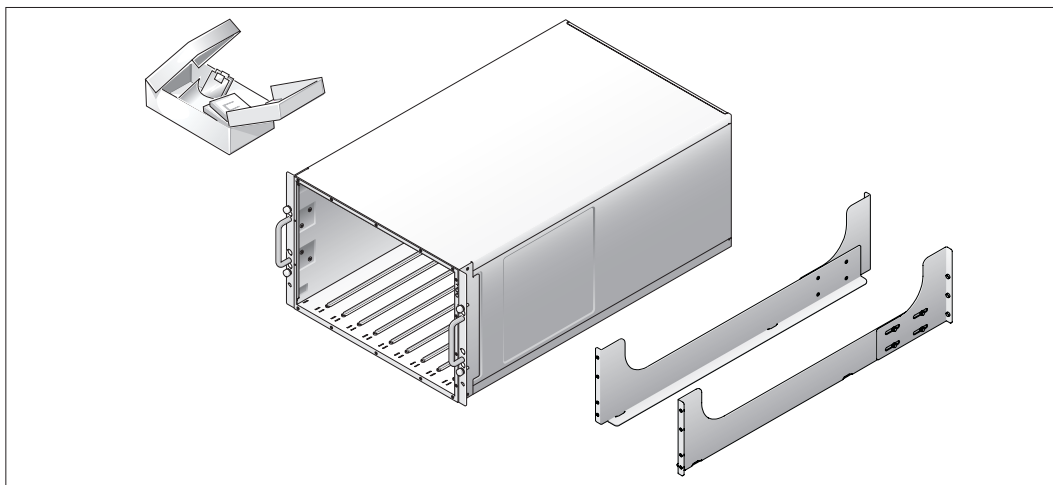
Tiene a su disposición el servicio de formación y certificación Dell para empresas. Para obtener más información, visite www.dell.com/training. Es posible que este servicio no se ofrezca en todas las regiones.

Instalación y configuración

⚠ PRECAUCIÓN: antes de realizar el procedimiento siguiente, lea y siga las instrucciones de seguridad y la información importante sobre normativas incluidas en la *Guía de información del producto*.

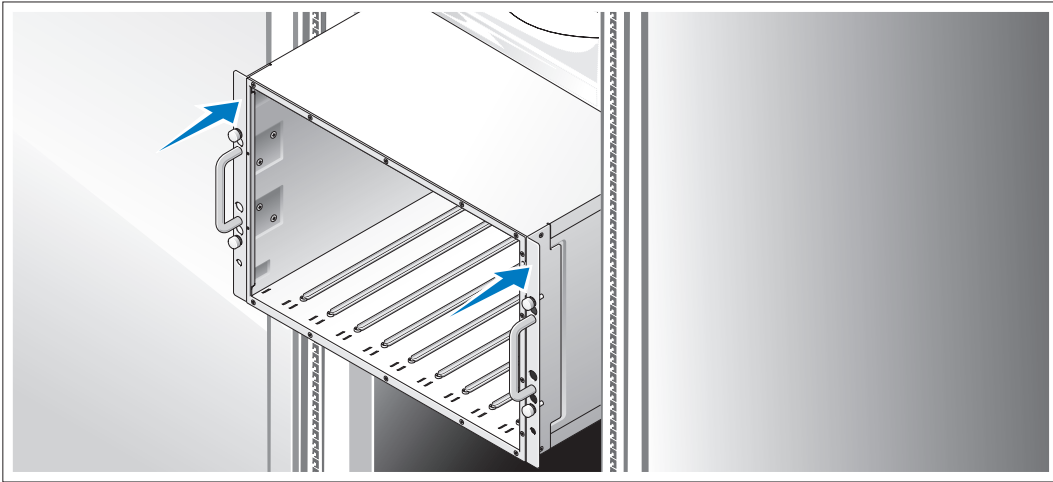
En esta sección se describen los pasos necesarios para configurar el sistema por primera vez.

Desembalaje del sistema



- 1 Desembale el sistema e identifique cada elemento.
Guarde el material de embalaje por si lo necesitara más adelante.

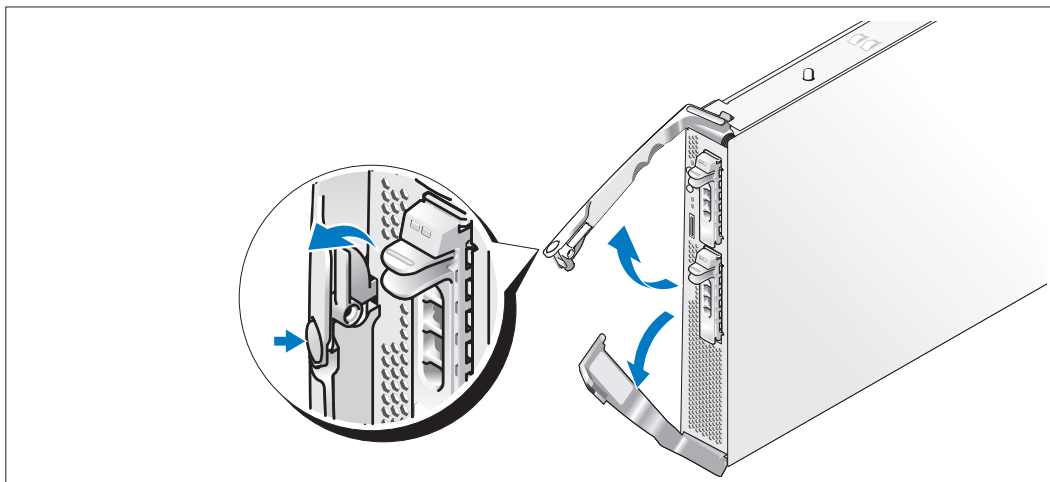
Instalación del sistema en un rack



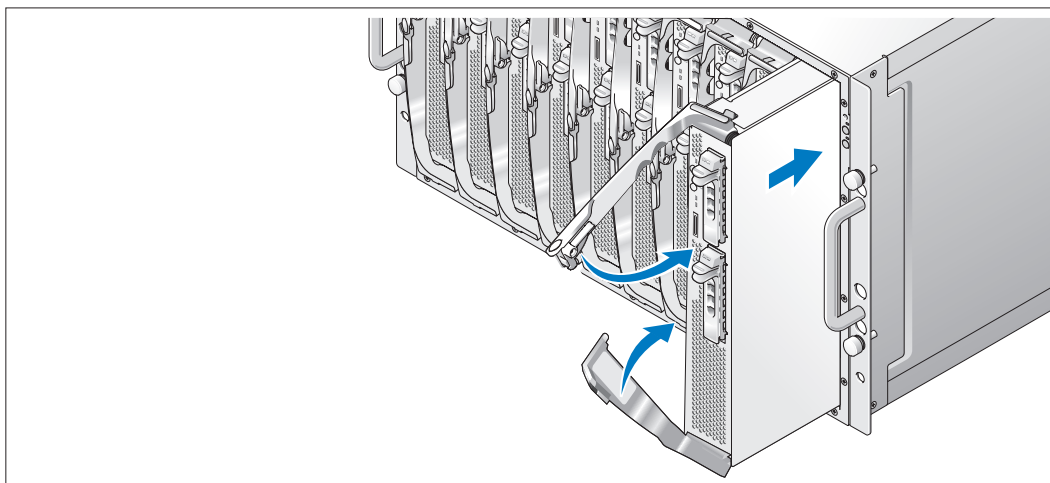
- 2 Instale el sistema en el rack una vez que haya leído las “Instrucciones de seguridad” de la documentación del sistema relativa a la instalación del rack.

Consulte la documentación de instalación del rack para obtener instrucciones sobre la instalación del sistema en un rack.

Instalación de los módulos de servidor

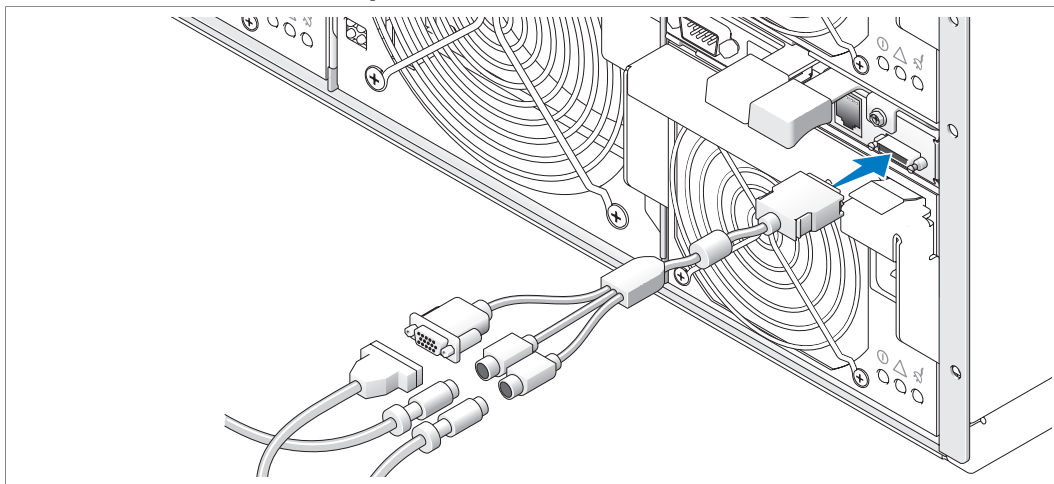


- 3 Antes de instalar los módulos, oriente cada módulo de modo que el asa con el logotipo esté en la parte superior y la inscripción “TOP-SIDE” del borde del módulo quede hacia arriba. Presione el pestillo de liberación del asa superior. Tire hacia fuera de las asas superior e inferior.



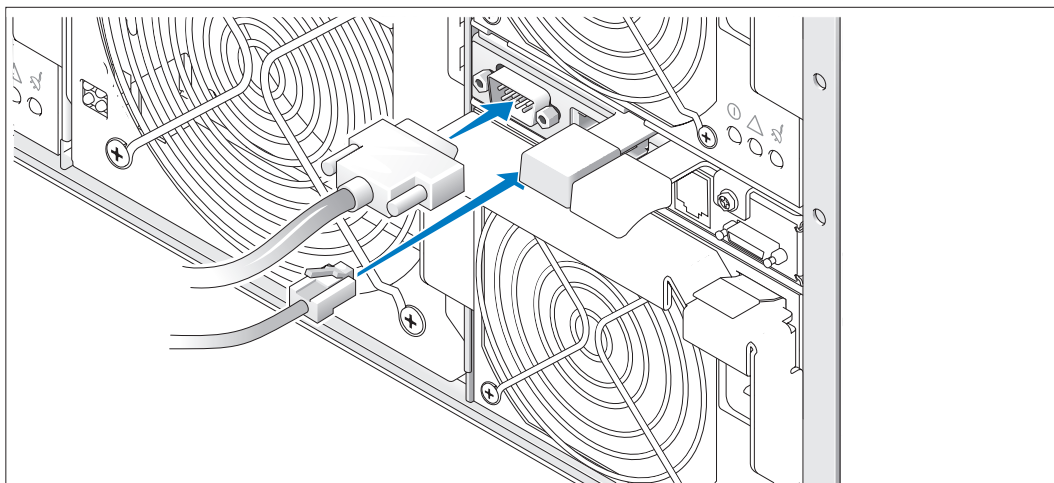
De izquierda a derecha, inserte los módulos en el chasis. Cuando las asas abiertas entren en contacto con el panel frontal del chasis, empiece a cerrarlas a la vez (el asa inferior se cerrará primero) hasta que el asa inferior esté alineada con el panel frontal del chasis. Siga bajando el asa superior hasta que esté alineada con el asa inferior. Cuando las asas estén totalmente cerradas, el pestillo de liberación fijará las dos asas al panel frontal.

Conexión del teclado, el ratón y el monitor



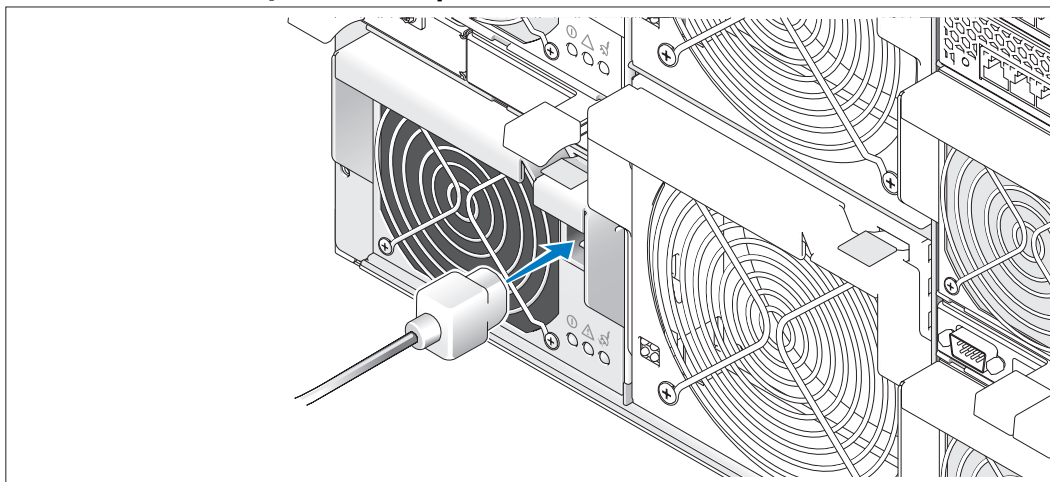
- 4 Conecte el cable personalizado al módulo KVM y, a continuación, conecte el teclado, el ratón y el monitor (opcional) al cable personalizado.

Conexión del sistema de administración



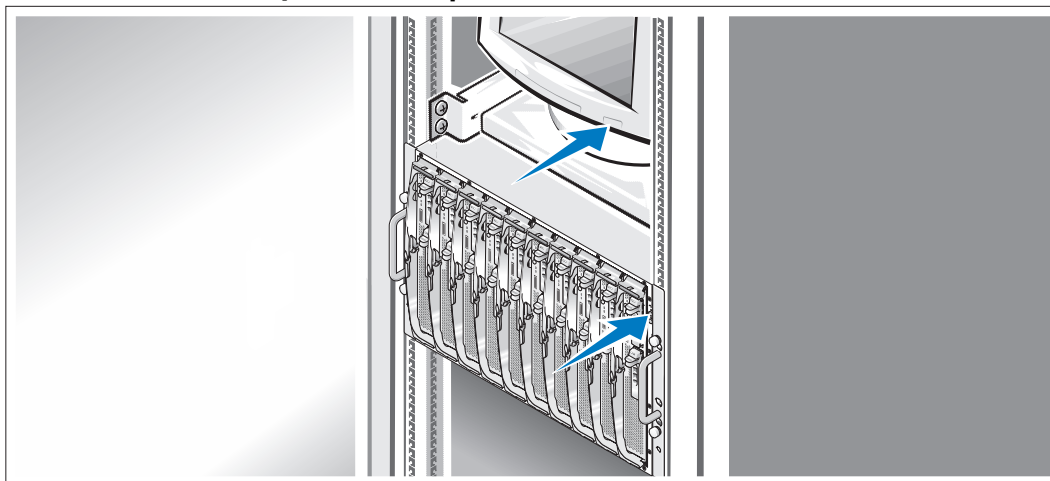
- 5 Conecte el cable serie y el cable de red del sistema de administración al módulo DRAC/MC.

Conexión del sistema y el monitor (opcional) a la toma de alimentación



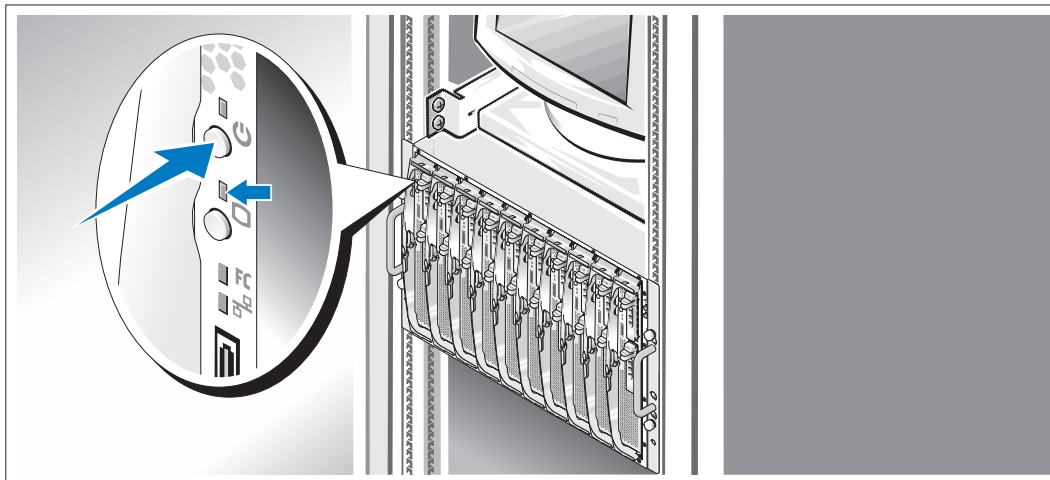
- 6 Conecte los cables de alimentación al sistema. A continuación, conecte el extremo opuesto del cable a una toma eléctrica con conexión a tierra o a otra fuente de alimentación, como un sistema de alimentación ininterrumpida (SAI) o una unidad de distribución de alimentación (PDU). Conecte el cable de alimentación del monitor a una toma eléctrica con conexión a tierra.

Encendido del sistema y el monitor (opcional)



- 7 Presione el botón de encendido del chasis y del monitor. Deberán encenderse los indicadores de alimentación. Ajuste los controles del monitor hasta que la imagen mostrada sea satisfactoria.

Encendido de los módulos de servidor



- 8 Presione el botón de encendido en cada módulo de servidor o encienda los módulos utilizando software de administración de sistemas.

Los indicadores KVM de los módulos de servidor identifican el vídeo de módulo de servidor que se visualiza.

Ajuste los controles del monitor hasta que la imagen mostrada sea satisfactoria.

Finalización de la configuración del sistema operativo

Si ha adquirido un sistema operativo preinstalado, consulte la documentación del sistema operativo que se suministra con el sistema. Para instalar un sistema operativo por primera vez, consulte la *Guía de instalación rápida*. Asegúrese de que el sistema operativo está instalado antes de instalar hardware o software no adquirido con el sistema.

Especificaciones técnicas

Módulo de servidor

Procesador	
Tipo de procesador	Máximo dos procesadores Intel Xeon Processor 5000 Sequence

Memoria	
Arquitectura	Módulos DIMM con búfer completo DDR II, con intercalado de dos vías capaces de funcionar a 533 o 677 Hz (si están disponibles)
Zócalos de módulo de memoria	Ocho de 240 patas
Capacidades de módulo de memoria	256 MB, 512 MB, 1 GB, 2 GB o 4 GB
RAM mínima	512 MB
RAM máxima	32 GB

Unidades	
Unidades de disco duro	
Configuración SAS	Una o dos unidades de disco duro de acoplamiento activo de 2,5 pulgadas
Configuración SATA	Una o dos unidades de disco duro de acoplamiento activo de 2,5 pulgadas
	NOTA: las unidades de disco duro SAS y SATA no pueden combinarse en un módulo de servidor.

Conectores	
Acceso externo	
Parte frontal	
Personalizado	Admite dos dispositivos USB y vídeo mediante cable personalizado

Vídeo	
Tipo de vídeo	Controladora de vídeo ATI ES1000
Memoria de vídeo	16 MB

Características físicas

Altura	28,575 cm
Anchura	4,241 cm
Profundidad	50,8 cm
Peso (configuración máxima)	7,257 kg

Batería

Batería del módulo de servidor	Batería de tipo botón de ion-litio de 3,0 V CR2032
--------------------------------	--

Sistema

Alojamiento del sistema

Altura	31,038 cm
Anchura	42,519 cm
Profundidad	76,2 cm
Peso (configuración máxima)	129,274 kg

Módulo de fuente de alimentación

Suministro de energía de CA (por fuente de alimentación)

Potencia	2 100 W
Voltaje	170–264 V CA, 50/60 Hz, 15,8 A a 170 V CA, 9,9 A a 264 V CA
Disipación de calor	3 480 BTU/h como máximo
Máxima corriente a la conexión	En condiciones normales de línea y en todo el ambiente del rango operativo del sistema, la corriente a la conexión puede alcanzar los 55 A por cada fuente de alimentación durante 10 ms o menos.

Características físicas

Altura	9,70 cm
Anchura	12,90 cm
Profundidad	23,01cm
Peso	3,288 kg

Módulo de ventilador

Características físicas

Altura	14,732 cm
Anchura	15,748 cm
Profundidad	27,305 cm
Peso	2,948 kg

Módulo KVM

Conectores de acceso externo

Personalizado	Cable personalizado utilizado para dos PS/2 y un vídeo
Puerto ACI	RJ-45 (sólo conmutador KVM analógico Avocent)
Ethernet	RJ-45 (sólo conmutador KVM de acceso digital Avocent)

Características físicas

Altura	2,54 cm
Anchura	5,334 cm
Profundidad	28,194 cm
Peso	0,272 kg

Módulo DRAC/MC

Conectores de acceso externo

Administración remota	10/100 RJ-45 dedicada (para una controladora de acceso remoto Ethernet integrada)
Serie	9 patas, DTE, compatible con el estándar 16550

Batería

Batería del módulo	Batería de tipo botón de ion-litio de 3,0 V CR2032
--------------------	--

Características físicas

Altura	2,54 cm
Anchura	7,493 cm
Profundidad	26,03 cm
Peso	0,363 kg

Módulo de conmutador Ethernet 5316M PowerConnect

Conectores de acceso externo

Ethernet Gb 10/100/1 000 Mbps	Seis enlaces ascendentes RJ-45 de negociación automática
-------------------------------	--

Características físicas

Altura	3,302 cm
Anchura	13,081 cm
Profundidad	27,432 cm
Peso	0,816 kg

Módulo de paso a través Ethernet Gb

Conectores de acceso externo

Ethernet	Diez enlaces ascendentes RJ-45 (para controladoras NIC de 1 Gbps integradas)
----------	--

NOTA: los enlaces ascendentes de paso a través sólo admiten conexiones de 1 000 Mbps.

Características físicas

Altura	3,302 cm
Anchura	13,081 cm
Profundidad	27,432 cm
Peso	0,816 kg

Módulo de paso a través Fibre Channel

Conectores de acceso externo

Transceptor Fibre Channel	Diez enchufes de transceptor GPIO de 3,5 Gbps de 76 patas
---------------------------	---

Características físicas

Altura	3,302 cm
Anchura	13,081 cm
Profundidad	27,432 cm
Peso	0,816 kg

Módulo de conmutador Fibre Channel

Conectores de acceso externo

Fibre Channel	Cuatro puertos universales de detección automática (E, F y FL)
1/2/4 Gb/s Ethernet	RJ-45

Características físicas

Altura	3,302 cm
Anchura	13,081 cm
Profundidad	27,432 cm
Peso	1,06 kg

Módulo de paso a través Infiniband

Conectores de acceso externo

Infiniband	Diez puertos 4X
------------	-----------------

Características físicas

Altura	3,302 cm
Anchura	13,081 cm
Profundidad	27,432 cm
Peso	1,8 kg

Condiciones ambientales

NOTA: para obtener información adicional sobre medidas ambientales relativas a configuraciones de sistema específicas, visite la página Web www.dell.com/environmental_datasheets. El sistema no se debe usar en un entorno de oficina.

Temperatura

En funcionamiento

De 10 °C a 35 °C

NOTA: por encima de los 900 m, la temperatura máxima se reduce en 1 °C por cada 300 m.

En almacenamiento

De -40 °C a 65 °C

Humedad relativa

En funcionamiento

Del 8 al 85 % (sin condensación) con una gradación de humedad máxima del 10 % por hora

En almacenamiento

Del 5 al 95 % (sin condensación)

Vibración máxima

En funcionamiento

0,25 G a 3–200 Hz durante 15 minutos

En almacenamiento

0,5 G a 3–200 Hz durante 15 minutos

Impacto máximo

En funcionamiento

Un choque positivo en el eje z (un choque en cada lado del sistema) de 41 G durante un máximo de 2 ms

En almacenamiento

Seis choques ejecutados consecutivamente en el sentido positivo y negativo de los ejes x, y y z (un choque en cada lado del sistema) de 71 G durante un máximo de 2 ms

Altitud

En funcionamiento

De -16 a 3 048 m

En almacenamiento

De -16 a 10 600 m